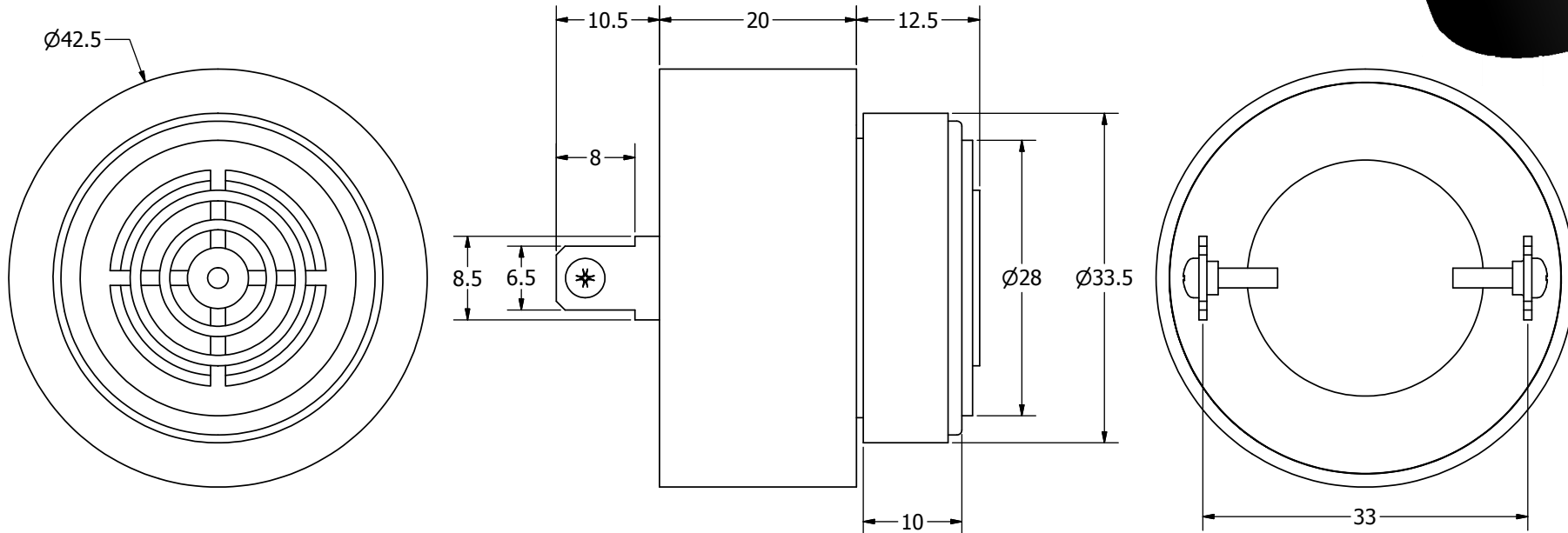
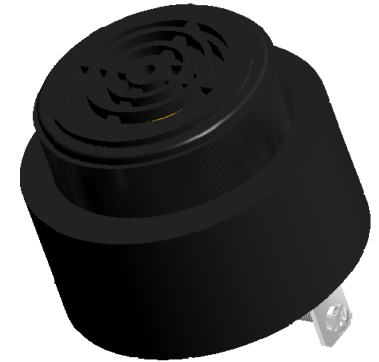


| SPECIFICATIONS | | |
|-------------------------|------------------|--------------|
| PARAMETERS | VALUES | UNITS |
| RATED VOLTAGE | 12 | Vdc |
| OPERATING VOLTAGE RANGE | 7 ~ 18 | Vdc |
| RATED CURRENT (MAX) | 16 | mA |
| MINIMUM SPL @ 10 CM | 108 | dBa |
| RESONANT FREQUENCY | 2,900 ± 500 | Hz |
| TONE OR PULSE RATE | CONTINUOUS | 0 pulse /sec |
| OPERATING TEMPERATURE | -30 ~ +85 | °C |
| STORAGE TEMPERATURE | -40 ~ +85 | °C |
| HOUSING MATERIAL | NYLON | - |
| TERMINAL MATERIAL | Sn PLATED BRONZE | - |
| WEIGHT | 40 | grams |



THIS DOCUMENT CONTAINS DATA PROPRIETARY TO PROJECTS UNLIMITED, INC. ANY USE OR REPRODUCTION, IN ANY FORM, WITHOUT PRIOR WRITTEN PERMISSION OF PROJECTS UNLIMITED, INC. IS PROHIBITED.
©2003, Projects Unlimited Inc.

| REVISION HISTORY | | | |
|------------------|--|-----------|----------|
| LTR | DESCRIPTION | DATE | APPROVED |
| - | RELEASED FROM ENGINEERING | 6/21/2006 | |
| A | REVISED TO INVENTOR 3-D DRAWING TEMPLATE | 2/28/2008 | B.R. |



NOTES:

1. ALL DIMENSIONS ARE IN MILLIMETERS.
2. SPECIFICATIONS SUBJECT TO CHANGE OR WITHDRAWAL WITHOUT NOTICE.
3. THIS PART IS RoHS 2002/95/EC COMPLIANT.

| | | | | | | | | | |
|--|--|-------------------|---|-----------|------------|---------------------|-------------|-----------|------------------------|
|  THIS PART IS UL RECOGNIZED IN THE US AND CANADA | UNLESS OTHERWISE SPECIFIED: DIMENSIONS ARE IN MILLIMETERS, TOLERANCES ARE ±0.5 AND ANGLES ARE ±3°. | SIZE A3 | Designed by | Date | Checked by | Date | Approved by | Date | Drawn Date |
| | | | J.D. | 6/21/2006 | E.P. | 6/21/2006 | B.R. | 6/21/2006 | 2/28/2008 |
| | | |  | | | | | | AI-4228-P-C18-R |
| AI-4228-P-C18-R.idw | | | | | | UL Indicator | | | |

Mouser Electronics

Authorized Distributor

Click to View Pricing, Inventory, Delivery & Lifecycle Information:

[PUI Audio:](#)

[AI-4228-P-C18-R](#)