

***RoHS Compliant***

# **Serial ATA Flash Drive**

***mSATA A1 Product Specifications***

**October 20, 2015**

***Version 1.7***



***Apacer Technology Inc.***

1F, No.32, Zhongcheng Rd., Tucheng Dist., New Taipei City, Taiwan, R.O.C

Tel: +886-2-2267-8000 Fax: +886-2-2267-2261

[www.apacer.com](http://www.apacer.com)

## Features:

- **Compliance with SATA Revision 3.1**
  - Serial ATA Revision 3.1 specifications
  - SATA 6.0 Gbps interface
  - Backward compatible with SATA 1.5 and 3.0 Gbps interfaces
  - ATA-8 command set
- **Capacities**
  - 2, 4, 8, 16, 32, 64, 128 GB
- **Performance\***
  - Interface burst read/write: 600 MB/sec
  - Standard type:
    - Sustained read: up to 160 MB/sec
    - Sustained write: up to 155 MB/sec
  - High-speed type:
    - Sustained read: up to 530 MB/sec
    - Sustained write: up to 450 MB/sec
    - Random read 4K: up to 82,000 IOPS
    - Random write 4K: up to 77,000 IOPS
- **Flash Management**
  - Built-in hardware ECC, enabling up to 40 bit correction per 1K bytes
  - Static/dynamic wear leveling
  - Flash bad-block management
  - S.M.A.R.T.
  - Power Failure Management
  - ATA Secure Erase
  - TRIM
- **NAND Flash Type: SLC**
- **Temperature Ranges**
  - Operating:
    - Standard: 0°C to 70°C
    - Extended: -40°C to 85°C
  - Storage: -40°C to 100°C
- **Supply Voltage**
  - 3.3 V  $\pm$  5%
- **Power Consumption (typical)\***
  - Standard type:
    - Active mode: 410 mA
    - Idle mode: 195 mA
  - High-speed
    - Active mode: 890 mA
    - Idle mode: 160 mA
- **Form Factor**
  - JEDEC MO-300
- **Shock & Vibration\*\***
  - Shock: 1,500 G
  - Vibration: 15 G
- **SATA Power Management Modes**
- **Device Sleep Mode (optional)**
- **Write Protect Switch (optional)**
- **RoHS Compliant**

\*Varies from capacities. The values addressed here are typical and may vary depending on settings and platforms.

\*\*Non-operating

---

## Table of Contents

|  |           |
|--|-----------|
| <b>1. Product Description .....</b>          | <b>3</b>  |
| 1.1 Introduction .....                       | 3         |
| 1.2 Capacity Specification.....              | 3         |
| 1.3 Performance.....                         | 3         |
| 1.4 Pin Assignments .....                    | 4         |
| <b>2. Software Interface.....</b>            | <b>6</b>  |
| 2.1 Command Set .....                        | 6         |
| 2.2 S.M.A.R.T.....                           | 6         |
| <b>3. Flash Management .....</b>             | <b>8</b>  |
| 3.1 Error Correction/Detection .....         | 8         |
| 3.2 Bad Block Management .....               | 8         |
| 3.3 Wear Leveling .....                      | 8         |
| 3.4 Power Failure Management.....            | 8         |
| 3.5 ATA Secure Erase.....                    | 8         |
| 3.6 TRIM .....                               | 9         |
| 3.7 SATA Power Management .....              | 9         |
| <b>4. Reliability Specifications .....</b>   | <b>10</b> |
| 4.1 Environmental .....                      | 10        |
| 4.2 Mean Time Between Failures (MTBF).....   | 10        |
| 4.3 Certification and Compliance .....       | 10        |
| <b>5. Electrical Characteristics .....</b>   | <b>11</b> |
| 5.1 Operating Voltage.....                   | 11        |
| 5.2 Power Consumption .....                  | 11        |
| <b>6. Mechanical Specifications .....</b>    | <b>12</b> |
| 6.1 Dimensions (Standard type).....          | 12        |
| 6.2 Dimensions (High-speed type) .....       | 13        |
| 6.3 Write Protect Switch (optional).....     | 14        |
| <b>7. Product Ordering Information .....</b> | <b>15</b> |
| 7.1 Product Code Designations .....          | 15        |
| 7.2 Valid Combinations .....                 | 16        |

# 1. Product Description

## 1.1 Introduction

Apacer's mSATA A1 is a well-balanced solid-state disk (SSD) drive with compact form factor (JEDEC MO-300) and great performance. Designed in SATA 6.0 Gbps interface, the mSATA SSD is able to deliver exceptional read/write speed, making it the ideal companion for heavy-loading embedded or server operations with space constraints for host computing systems. In regard of reliability, the drive comes with various implementations including powerful hardware ECC engine, power saving modes, wear leveling, flash block management, S.M.A.R.T., TRIM, and power failure management.

## 1.2 Capacity Specification

**Table 1-1** Capacity specification

| Capacity | Total Bytes     | Cylinders | Heads | Sectors | Max LBA     |
|----------|-----------------|-----------|-------|---------|-------------|
| 2 GB     | 2,011,226,112   | 3,897     | 16    | 63      | 3,928,176   |
| 4 GB     | 4,011,614,208   | 7,773     | 16    | 63      | 7,835,184   |
| 8 GB     | 8,012,390,400   | 15,525    | 16    | 63      | 15,649,200  |
| 16 GB    | 16,013,942,784  | 16,383    | 16    | 63      | 31,277,232  |
| 32 GB    | 32,017,047,552  | 16,383    | 16    | 63      | 62,533,296  |
| 64 GB    | 64,023,257,088  | 16,383    | 16    | 63      | 125,045,424 |
| 128 GB   | 128,035,676,160 | 16,383    | 16    | 63      | 250,069,680 |

1. Display of total bytes varies from file systems.
2. Cylinders, heads or sectors are not applicable for these capacities. Only LBA addressing applies.
3. LBA count addressed in the table above indicates total user storage capacity and will remain the same throughout the lifespan of the device. However, the total usable capacity of the SSD is most likely to be less than the total physical capacity because a small portion of the capacity is reserved for device maintenance usages.

## 1.3 Performance

**Table 1-2** Performance (standard)

| Capacity \ Performance        | 2 GB | 4 GB | 8 GB | 16 GB | 32 GB | 64 GB |
|-------------------------------|------|------|------|-------|-------|-------|
| <b>Sustained Read (MB/s)</b>  | 145  | 140  | 150  | 150   | 160   | 160   |
| <b>Sustained Write (MB/s)</b> | 55   | 55   | 80   | 80    | 150   | 155   |

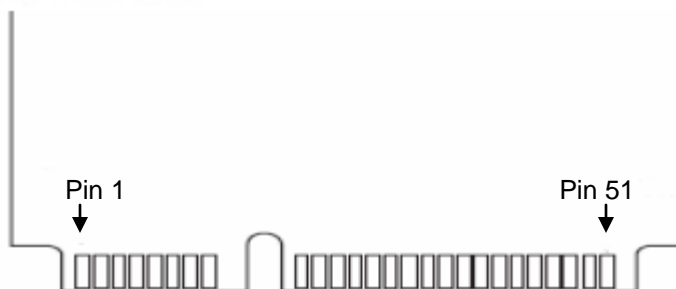
**Table 1-3** Performance (high-speed)

| Capacity \ Performance        | 32 GB  | 64 GB  | 128 GB |
|-------------------------------|--------|--------|--------|
| <b>Sustained Read (MB/s)</b>  | 530    | 530    | 530    |
| <b>Sustained Write (MB/s)</b> | 270    | 440    | 450    |
| <b>Random Read IOPS (4K)</b>  | 81,000 | 82,000 | 82,000 |
| <b>Random Write IOPS (4K)</b> | 62,000 | 76,000 | 77,000 |

Note: Performance varies from flash configurations or host system settings.  
IOPS: measured on 8GB span (16777216 sectors Disk Size), 32 Outstanding I/Os (QD=32), Full Random Data pattern, 4KB Align I/Os and test durations 15minutes.

## 1.4 Pin Assignments

Pin assignment of the mSATA A1 is shown in Figure 1-1 and described in Table 1-4.



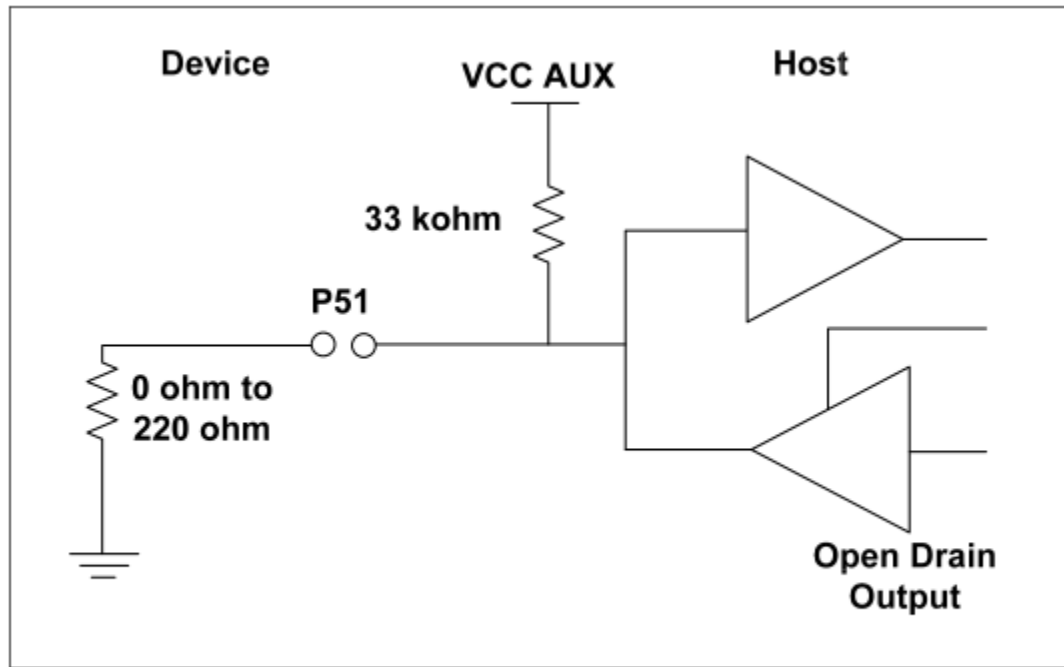
**Figure 1-1** Apacer mSATA A1 pin assignment

**Table 1-4** Pin Assignment Description

| Pin | Type     | Description                            | Pin  | Type        | Description                                      |
|-----|----------|--|------|-------------|--|
| 1   | Reserved | No Connect                             | 27   | GND         | Ground   |
| 2   | +3.3V    | 3.3V source                            | 28   | Reserved    | No Connect                                       |
| 3   | Reserved | No Connect                             | 29   | GND         | Ground   |
| 4   | GND      | Ground                                 | 30   | Reserved    | No Connect                                       |
| 5   | Reserved | No Connect                             | 31   | -A          | Host Transmitter Differential Signal Pair        |
| 6   | Reserved | No Connect                             | 32   | Reserved    | No Connect                                       |
| 7   | Reserved | No Connect                             | 33   | +A          | Host Transmitter Differential Signal Pair        |
| 8   | Reserved | No Connect                             | 34   | GND         | Ground   |
| 9   | GND      | Ground                                 | 35   | GND         | Ground   |
| 10  | Reserved | No Connect                             | 36   | Reserved    | No Connect                                       |
| 11  | Reserved | No Connect                             | 37   | GND         | Ground   |
| 12  | Reserved | No Connect                             | 38   | Reserved    | No Connect                                       |
| 13  | Reserved | No Connect                             | 39   | +3.3V       | 3.3V source                                      |
| 14  | Reserved | No Connect                             | 40   | GND         | Ground   |
| 15  | GND      | Ground                                 | 41   | +3.3V       | 3.3V source                                      |
| 16  | Reserved | No Connect                             | 42   | Reserved    | No Connect                                       |
| 17  | Reserved | No Connect                             | 43   | Device Type | No Connect                                       |
| 18  | GND      | Ground                                 | 44*  | DEVSLP      | Device Sleep                                     |
| 19  | Reserved | No Connect                             | 45   | Reserved    | No Connect                                       |
| 20  | Reserved | No Connect                             | 46   | Reserved    | No Connect                                       |
| 21  | GND      | Ground                                 | 47   | Reserved    | No Connect                                       |
| 22  | Reserved | No Connect                             | 48   | Reserved    | No Connect                                       |
| 23  | +B       | Host Receiver Differential Signal Pair | 49   | DAS/DSS     | Device Activity Signal/Disable Staggered Spin-up |
| 24  | +3.3V    | 3.3V Source                            | 50   | GND         | Ground   |
| 25  | -B       | Host Receiver Differential Signal Pair | 51** | Detect      | 0 ohm  |
| 26  | GND      | Ground                                 | 52   | +3.3V       | 3.3V source                                      |

\*Pin44 can be configured as Device Sleep enabling pin by option.

\*\*Notes about Pin51: It is a presence detection pin that shall be connected to GND by a 0 ohm to 220 ohm Resistor on device. Please see the diagram below.



BI-directional host-side implementation of P51 for compatibility with non-mSATA devices (Informative)

## 2. Software Interface

### 2.1 Command Set

Table 2-1 summarizes the ATA commands supported by mSATA A1.

**Table 2-1:** Command set

| Code      | Command                      | Code       | Command                   |
|-----------|------------------------------|------------|---------------------------|
| E5h       | Check Power Mode             | F6h        | Security Disable Password |
| 90h       | Execute Diagnostics          | F3h        | Security Erase Prepare    |
| E7h       | Flush Cache                  | F4h        | Security Erase Unit       |
| ECh       | Identify Device              | F5h        | Security Freeze Lock      |
| E3h       | Idle                         | F1h        | Security Set Password     |
| E1h       | Idle Immediate               | F2h        | Security Unlock           |
| 91h       | Initialize Device Parameters | 7Xh        | Seek                      |
| C8h       | Read DMA                     | EFh        | Set Features              |
| 25h       | Read DMA EXT                 | C6h        | Set Multiple Mode         |
| 60h       | Read FPDMA Queued            | E6h        | Sleep                     |
| 47h       | Read Log DMA EXT             | B0h        | S.M.A.R.T.                |
| 2Fh       | Read Log EXT                 | E2h        | Standby                   |
| C4h       | Read Multiple                | E0h        | Standby Immediate         |
| 20 or 21h | Read Sector(s)               | CAh        | Write DMA                 |
| 40 or 41h | Read Verify Sector(s)        | 35h        | Write DMA EXT             |
| 10h       | Recalibrate                  | 61h        | Write FPDMA Queued        |
| 57h       | Write Log DMA EXT            | 3Fh        | Write Log EXT             |
| C5h       | Write Multiple               | 30h or 31h | Write Sector(s)           |

### 2.2 S.M.A.R.T.

S.M.A.R.T. is an abbreviation for Self-Monitoring, Analysis and Reporting Technology, a self-monitoring system that provides indicators of drive health as well as potential disk problems. It serves as a warning for users from unscheduled downtime by monitoring and displaying critical drive information. Ideally, this should allow taking proactive actions to prevent drive failure and make use of S.M.A.R.T. information for future product development reference.

Apacer devices use the standard SMART command B0h to read data out from the drive to activate our S.M.A.R.T. feature that complies with the ATA/ATAPI specifications. S.M.A.R.T. Attribute IDs shall include initial bad block count, total later bad block count, maximum erase count, average erase count, power on hours and power cycle. When the S.M.A.R.T. Utility running on the host, it analyzes and reports the disk status to the host before the device reaches in critical condition.

Note: attribute IDs may vary from product models due to various solution design and supporting capabilities.

# Serial ATA Flash Drive APSDMxxxxMXXN-XXTX



Apacer memory products come with S.M.A.R.T. commands and subcommands for users to obtain information of drive status and to predict potential drive failures. Users can take advantage of the following commands/subcommands to monitor the health of the drive.

| Code | SMART Subcommand                  |
|------|-----------------------------------|
| D0h  | READ DATA                         |
| D1h  | READ ATTRIBUTE THRESHOLDS         |
| D2h  | Enable/Disable Attribute Autosave |
| D4h  | Execute Off-line Immediate        |
| D5h  | Read Log (optional)               |
| D6h  | Write Log (optional)              |
| D8h  | Enable Operations                 |
| D9h  | Disable operations                |
| DAh  | Return Status                     |

### General SMART attribute structure

| Byte  | Description |
|-------|-------------|
| 0     | ID (Hex)    |
| 1 – 2 | Status flag |
| 3     | Value       |
| 4     | Worst       |
| 5*-11 | Raw Data    |

\*Byte 5: LSB

### SMART attribute ID list

| ID (Hex)   | Attribute Name                     |
|------------|------------------------------------|
| 9 (0x09)   | Power-on hours                     |
| 12 (0x0C)  | Power cycle count                  |
| 163 (0xA3) | Max. erase count                   |
| 164 (0xA4) | Avg. erase count                   |
| 166 (0xA6) | Total later bad block count        |
| 167 (0xA7) | SSD Protect Mode (vendor specific) |
| 168 (0xA8) | SATA PHY Error Count               |
| 175 (0xAF) | Bad Cluster Table Count            |
| 192 (0xC0) | Unexpected Power Loss Count        |
| 194 (0xC2) | Temperature                        |
| 241 (0xF1) | Total sectors of write             |



---

## 3. Flash Management

### 3.1 Error Correction/Detection

---

mSATA A1 implements a hardware ECC scheme, based on the BCH algorithm. It can detect and correct up to 40 bits error in 1K bytes.

### 3.2 Bad Block Management

---

Current production technology is unable to guarantee total reliability of NAND flash memory array. When a flash memory device leaves factory, it comes with a minimal number of initial bad blocks during production or out-of-factory as there is no currently known technology that produce flash chips free of bad blocks. In addition, bad blocks may develop during program/erase cycles. When host performs program/erase command on a block, bad block may appear in Status Register. Since bad blocks are inevitable, the solution is to keep them in control. Apacer flash devices are programmed with ECC, block mapping technique and S.M.A.R.T to reduce invalidity or error. Once bad blocks are detected, data in those blocks will be transferred to free blocks and error will be corrected by designated algorithms.

### 3.3 Wear Leveling

---

Flash memory devices differ from Hard Disk Drives (HDDs) in terms of how blocks are utilized. For HDDs, when a change is made to stored data, like erase or update, the controller mechanism on HDDs will perform overwrites on blocks. Unlike HDDs, flash blocks cannot be overwritten and each P/E cycle wears down the lifespan of blocks gradually. Repeatedly program/erase cycles performed on the same memory cells will eventually cause some blocks to age faster than others. This would bring flash storages to their end of service term sooner. Wear leveling is an important mechanism that level out the wearing of blocks so that the wearing-down of blocks can be almost evenly distributed. This will increase the lifespan of SSDs. Commonly used wear leveling types are Static and Dynamic.

### 3.4 Power Failure Management

---

Power Failure Management plays a crucial role when experiencing unstable power supply. Power disruption may occur when users are storing data into the SSD. In this urgent situation, the controller would run multiple write-to-flash cycles to store the metadata for later block rebuilding. This urgent operation requires about several milliseconds to get it done. At the next power up, the firmware will perform a status tracking to retrieve the mapping table and resume previously programmed NAND blocks to check if there is any incompleteness of transmission.

Note: The controller unit of this product model is designed with a DRAM as a write cache for improved performance and data efficiency. Though unlikely to happen in most cases, the data cached in the volatile DRAM might be potentially affected if a sudden power loss takes place before the cached data is flushed into non-volatile NAND flash memory.

### 3.5 ATA Secure Erase

---

ATA Secure Erase is an ATA disk purging command currently embedded in most of the storage drives. Defined in ATA specifications, (ATA) Secure Erase is part of Security Feature Set that allows storage drives to erase all user data areas. The erase process usually runs on the firmware level as most of the ATA-based storage media currently in the market are built-in with this command. ATA Secure Erase can securely wipe out the user data in the drive and protects it from malicious attack.

---

## 3.6 TRIM

---

TRIM is a SATA command that helps improve the read/write performance and efficiency of solid-state drives (SSD). The command enables the host operating system to inform SSD controller which blocks contain invalid data, mostly because of the erase commands from host. The invalid will be discarded permanently and the SSD will retain more space for itself.

## 3.7 SATA Power Management

---

By complying with SATA 6.0 Gb/s specifications, the SSD supports the following SATA power saving modes:

- ACTIVE: PHY ready, full power, Tx & Rx operational
- PARTIAL: Reduces power, resumes in under 10  $\mu$ s (microseconds)
- SLUMBER: Reduces power, resumes in under 10 ms (milliseconds)
- HIPM: Host-Initiated Power Management
- DIPM: Device-Initiated Power Management
- AUTO-SLUMBER: Automatic transition from partial to slumber.
- Device Sleep (DevSleep or DEVSLP): PHY powered down; power consumption  $\leq$  5 mW; host assertion time  $\leq$  10 ms; exit timeout from this state  $\leq$  20 ms (unless specified otherwise in SATA Identify Device Log).

Note:

1. The behaviors of power management features would depend on host/device settings.
2. Device Sleep mode is optional, depending on product ordering selections.

---

## 4. Reliability Specifications

### 4.1 Environmental

---

mSATA A1 environmental specifications follow MIL-STD-810F, as indicated in the following table.

**Table 4-1** mSATA A1 environmental specifications

| Environment | Specification   |
|-------------|---|
| Temperature | 0°C to 70°C (Operating); -40°C to 85°C (Extended)   |
|             | -40°C to 100°C (Non-operating)  |
| Vibration   | Non-operating : Sine wave, 15(G), 10~2000(Hz),<br>Operating : Random, 7.69(Grms), 20~2000(Hz) |
| Shock       | Non-operating: Acceleration, 1,500 G, 0.5 ms<br>Operating: Peak acceleration, 50 G, 11 ms     |

### 4.2 Mean Time Between Failures (MTBF)

---

Mean Time Between Failures (MTBF) is predicted based on reliability data for the individual components in SATA drive. The prediction result for the mSATA A1 is more than 2,000,000 hours.

Notes about the MTBF: the MTBF is predicated and calculated based on "Telcordia Technologies Special Report, SR-332, Issue 2" method.

### 4.3 Certification and Compliance

---

mSATA A1 complies with the following standards:

- CE
- FCC
- RoHS
- MIL-STD-810F

## 5. Electrical Characteristics

### 5.1 Operating Voltage

Table 5-1 lists the supply voltage for mSATA A1.

**Table 5-1** mSATA A1 operating voltage

| Parameter      | Conditions    |
|----------------|---------------|
| Supply voltage | 3.3V $\pm$ 5% |

### 5.2 Power Consumption

**Table 5-2** Power consumption (standard)

| Mode \ Capacity | 2 GB | 4 GB | 8 GB | 16 GB | 32 GB | 64 GB |
|-----------------|------|------|------|-------|-------|-------|
| Active (mA)     | 260  | 290  | 375  | 375   | 375   | 410   |
| Idle (mA)       | 115  | 195  | 195  | 195   | 195   | 195   |

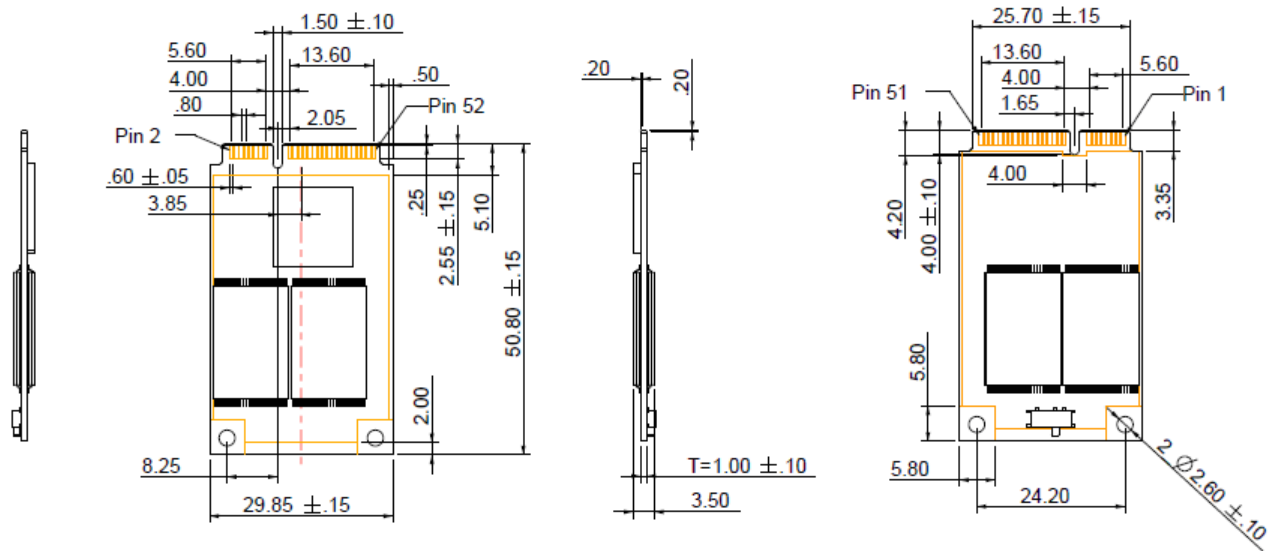
**Table 5-3:** Typical power consumption (high-speed)

| Modes \ Capacity | 32 GB | 64 GB | 128 GB |
|------------------|-------|-------|--------|
| Active (mA)      | 450   | 680   | 890    |
| Idle (mA)        | 160   | 160   | 160    |

Note: Results were conducted by estimates and may differ from various flash configurations or host system setting

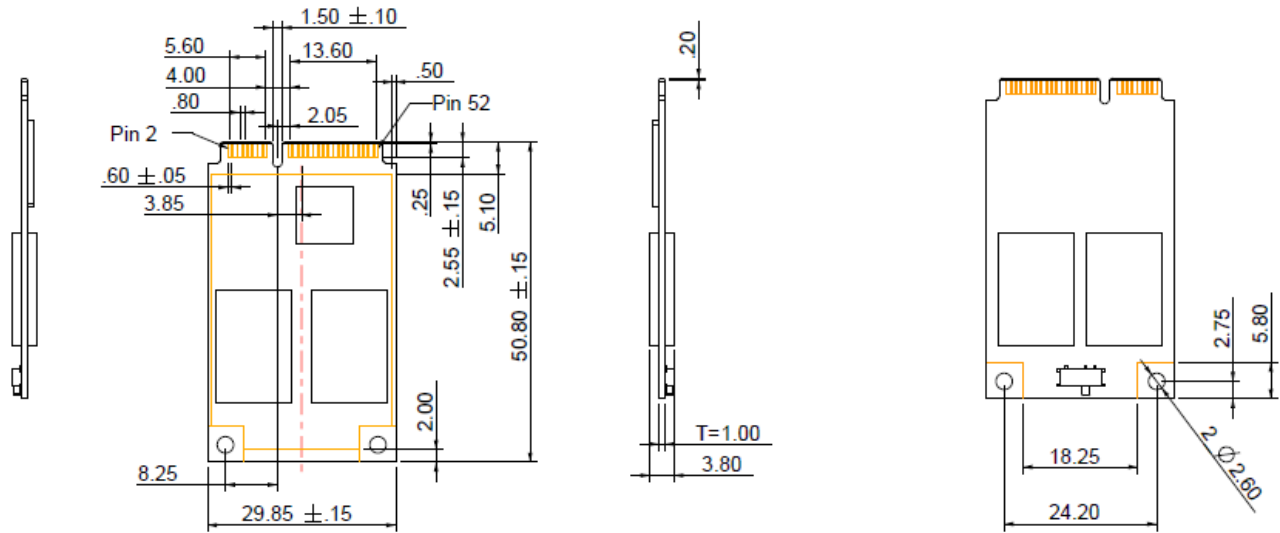
## 6. Mechanical Specifications

### 6.1 Dimensions (Standard type)



Unit: mm  
Tolerance: ± 0.2

## 6.2 Dimensions (High-speed type)

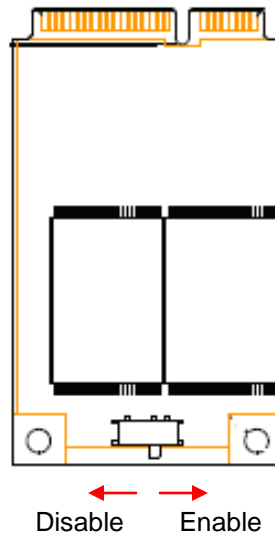


Unit: mm  
Tolerance: ± 0.2

---

### 6.3 Write Protect Switch (optional)

---

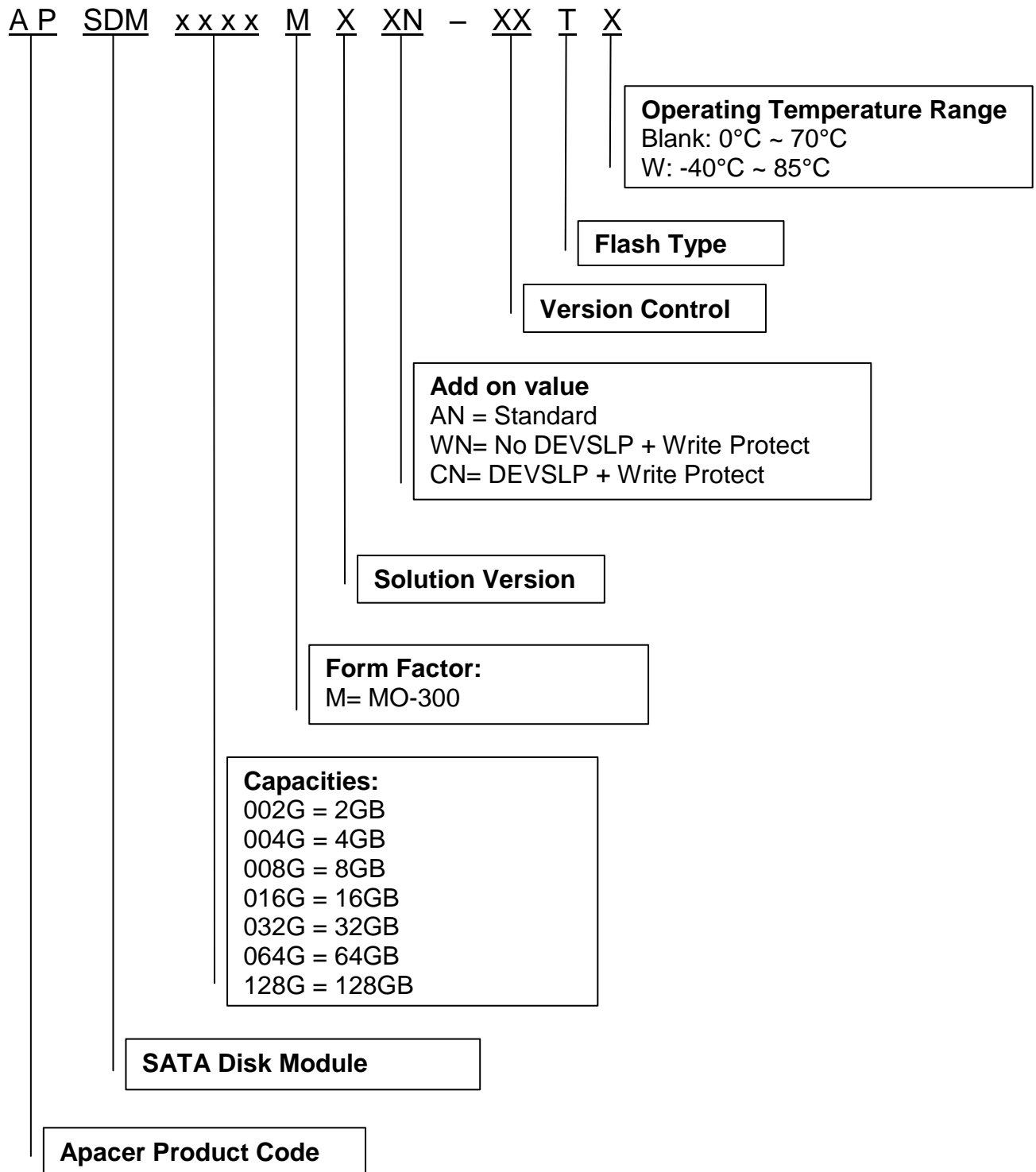


Description of Apacer Write Protect:

Apacer implements the Virtual Write scheme that allows write commands to go through the flash controller and data temporarily stored, but no data has been actually written into the flash. Since the Virtual Write scheme runs at device level, it requires no software or driver installation and is independent from the host OS.

## 7. Product Ordering Information

### 7.1 Product Code Designations





## 7.2 Valid Combinations

### A. No Write Protect

#### 7.2.1.1 Standard Speed / Operating Temperature (0°C ~ 70°C)

| Capacity | NO DEVSLP         | DEVSLP            |
|----------|-------------------|-------------------|
| 2GB      | APSDM002GMBAN-2AT | APSDM002GMBAN-2BT |
| 4GB      | APSDM004GMBAN-AT  | APSDM004GMBAN-BT  |
| 8GB      | APSDM008GMBAN-AT  | APSDM008GMBAN-BT  |
| 16GB     | APSDM016GMBAN-AT  | APSDM016GMBAN-BT  |
| 32GB     | APSDM032GMBAN-AT  | APSDM032GMBAN-BT  |
| 64GB     | APSDM064GMBAN-AT  | APSDM064GMBAN-BT  |

#### 7.2.1.2 Standard Speed / Operating Temperature (-40°C ~ 85°C)

| Capacity | NO DEVSLP          | DEVSLP             |
|----------|--------------------|--------------------|
| 2GB      | APSDM002GMBAN-2ATW | APSDM002GMBAN-2BTW |
| 4GB      | APSDM004GMBAN-ATW  | APSDM004GMBAN-BTW  |
| 8GB      | APSDM008GMBAN-ATW  | APSDM008GMBAN-BTW  |
| 16GB     | APSDM016GMBAN-ATW  | APSDM016GMBAN-BTW  |
| 32GB     | APSDM032GMBAN-ATW  | APSDM032GMBAN-BTW  |
| 64GB     | APSDM064GMBAN-ATW  | APSDM064GMBAN-BTW  |

#### 7.2.1.3 High Speed / Operating Temperature (0°C ~ 70°C)

| Capacity | NO DEVSLP         | DEVSLP            |
|----------|-------------------|-------------------|
| 32GB     | APSDM032GM9AN-3AT | APSDM032GM9AN-3BT |
| 64GB     | APSDM064GM9AN-3AT | APSDM064GM9AN-3BT |
| 128GB    | APSDM128GM9AN-3AT | APSDM128GM9AN-3BT |

#### 7.2.1.4 High Speed / Operating Temperature (-40°C ~ 85°C)

| Capacity | NO DEVSLP          | DEVSLP             |
|----------|--------------------|--------------------|
| 32GB     | APSDM032GM9AN-3ATW | APSDM032GM9AN-3BTW |
| 64GB     | APSDM064GM9AN-3ATW | APSDM064GM9AN-3BTW |
| 128GB    | APSDM128GM9AN-3ATW | APSDM128GM9AN-3BTW |

**B. Write Protect**

**7.2.2.1 Standard Speed / Operating Temperature (0°C ~ 70°C)**

| <b>Capacity</b> | <b>NO DEVSLP</b>        | <b>DEVSLP</b>           |
|-----------------|-------------------------|-------------------------|
| <b>4GB</b>      | <b>APSDM004GMBWN-AT</b> | <b>APSDM004GMBCN-BT</b> |
| <b>8GB</b>      | <b>APSDM008GMBWN-AT</b> | <b>APSDM008GMBCN-BT</b> |
| <b>16GB</b>     | <b>APSDM016GMBWN-AT</b> | <b>APSDM016GMBCN-BT</b> |
| <b>32GB</b>     | <b>APSDM032GMBWN-AT</b> | <b>APSDM032GMBCN-BT</b> |
| <b>64GB</b>     | <b>APSDM064GMBWN-AT</b> | <b>APSDM064GMBCN-BT</b> |

**7.2.2.2 Standard Speed / Operating Temperature (-40°C ~ 85°C)**

| <b>Capacity</b> | <b>NO DEVSLP</b>         | <b>DEVSLP</b>            |
|-----------------|--------------------------|--------------------------|
| <b>4GB</b>      | <b>APSDM004GMBWN-ATW</b> | <b>APSDM004GMBCN-BTW</b> |
| <b>8GB</b>      | <b>APSDM008GMBWN-ATW</b> | <b>APSDM008GMBCN-BTW</b> |
| <b>16GB</b>     | <b>APSDM016GMBWN-ATW</b> | <b>APSDM016GMBCN-BTW</b> |
| <b>32GB</b>     | <b>APSDM032GMBWN-ATW</b> | <b>APSDM032GMBCN-BTW</b> |
| <b>64GB</b>     | <b>APSDM064GMBWN-ATW</b> | <b>APSDM064GMBCN-BTW</b> |

**7.2.2.3 High Speed / Operating Temperature (0°C ~ 70°C)**

| <b>Capacity</b> | <b>NO DEVSLP</b>         | <b>DEVSLP</b>            |
|-----------------|--------------------------|--------------------------|
| <b>32GB</b>     | <b>APSDM032GM9WN-3AT</b> | <b>APSDM032GM9CN-3BT</b> |
| <b>64GB</b>     | <b>APSDM064GM9WN-3AT</b> | <b>APSDM064GM9CN-3BT</b> |
| <b>128GB</b>    | <b>APSDM128GM9WN-3AT</b> | <b>APSDM128GM9CN-3BT</b> |

**7.2.2.4 High Speed / Operating Temperature (-40°C ~ 85°C)**

| <b>Capacity</b> | <b>NO DEVSLP</b>          | <b>DEVSLP</b>             |
|-----------------|---------------------------|---------------------------|
| <b>32GB</b>     | <b>APSDM032GM9WN-3ATW</b> | <b>APSDM032GM9CN-3BTW</b> |
| <b>64GB</b>     | <b>APSDM064GM9WN-3ATW</b> | <b>APSDM064GM9CN-3BTW</b> |
| <b>128GB</b>    | <b>APSDM128GM9WN-3ATW</b> | <b>APSDM128GM9CN-3BTW</b> |

**Note:** Please contact Apacer sales representatives for availabilities.

---

## Revision History

| Revision | Description  | Date       |
|----------|--|------------|
| 0.1      | Preliminary  | 02/07/2014 |
| 1.0      | Official release                                   | 02/25/2014 |
| 1.1      | Removed "DSS" from pin 49                          | 03/14/2014 |
| 1.2      | Updated mechanical drawing                         | 05/15/2014 |
| 1.3      | Added high-speed models                            | 07/10/2014 |
| 1.4      | Revised Product Ordering Information               | 08/15/2014 |
| 1.5      | Revised pin assignments                            | 09/15/2014 |
| 1.6      | Revised part numbers for 32GB in high speed models | 10/07/2014 |
| 1.7      | Added 2GB support                                  | 10/20/2015 |

---

## Global Presence

|                              |   |
|------------------------------|---|
| <b>Taiwan (Headquarters)</b> | <b>Apacer Technology Inc.</b><br>Apacer Technology Inc.<br>1F., No.32, Zhongcheng Rd., Tucheng Dist.,<br>New Taipei City 236, Taiwan R.O.C.<br>Tel: 886-2-2267-8000<br>Fax: 886-2-2267-2261<br><a href="mailto:amtsales@apacer.com">amtsales@apacer.com</a>               |
| <b>U.S.A.</b>                | <b>Apacer Memory America, Inc.</b><br>46732 Lakeview Blvd., Fremont, CA 94538<br>Tel: 1-408-518-8699<br>Fax: 1-510-249-9568<br><a href="mailto:sa@apacerus.com">sa@apacerus.com</a>   |
| <b>Japan</b>                 | <b>Apacer Technology Corp.</b><br>5F, Matsura Bldg., Shiba, Minato-Ku<br>Tokyo, 105-0014, Japan<br>Tel: 81-3-5419-2668<br>Fax: 81-3-5419-0018<br><a href="mailto:jpservices@apacer.com">jpservices@apacer.com</a>   |
| <b>Europe</b>                | <b>Apacer Technology B.V.</b><br>Science Park Eindhoven 5051 5692 EB Son,<br>The Netherlands<br>Tel: 31-40-267-0000<br>Fax: 31-40-267-0000#6199<br><a href="mailto:sales@apacer.nl">sales@apacer.nl</a>   |
| <b>China</b>                 | <b>Apacer Electronic (Shanghai) Co., Ltd</b><br>Room D, 22/FL, No.2, Lane 600, JieyunPlaza,<br>Tianshan RD, Shanghai, 200051, China<br>Tel: 86-21-6228-9939<br>Fax: 86-21-6228-9936<br><a href="mailto:sales@apacer.com.cn">sales@apacer.com.cn</a>                       |
| <b>India</b>                 | <b>Apacer Technologies Pvt Ltd,</b><br>Unit No.201, "Brigade Corner", 7 <sup>th</sup> Block Jayanagar,<br>Yediyur Circle, Bangalore – 560082, India<br>Tel: 91-80-4152-9061<br>Fax: 91-80-4170-0215<br><a href="mailto:sales_india@apacer.com">sales_india@apacer.com</a> |

# Mouser Electronics

Authorized Distributor

Click to View Pricing, Inventory, Delivery & Lifecycle Information:

## Apacer:

[APSDM004GMBCN-BT](#) [APSDM008GMBCN-BT](#) [APSDM016GMBCN-BT](#) [APSDM032GMBCN-BT](#)  
[APSDM064GMBCN-BT](#) [APSDM032GM9CN-3BT](#) [APSDM064GM9CN-3BT](#) [APSDM128GM9CN-3BT](#)  
[APSDM004GMBCN-BTW](#) [APSDM008GMBCN-BTW](#) [APSDM016GMBCN-BTW](#) [APSDM032GMBCN-BTW](#)  
[APSDM064GMBCN-BTW](#) [APSDM032GM9CN-3BTW](#) [APSDM064GM9CN-3BTW](#) [APSDM128GM9CN-3BTW](#)