

ACZRA4728-HF Thru. ACZRA4764-HF

Voltage: 3.3 to 100 Volts

Power: 1.0 Watts

RoHS Device

Halogen Free

Features

- Batch process design, excellent power dissipation offers better reverse leakage current and thermal resistance.
- Standard zener voltage tolerance $\pm 5\%$.
- Low inductance.
- Low profile package.
- Built-in strain relief.
- Comply with AEC-Q101.

Mechanical data

- Epoxy: UL94V-0 rated flame retardant.
- Case: Molded plastic, JEDEC DO-214AC/SMA
- Terminals: Solder Plated, solderable per MIL-STD-750, method 2026.
- Polarity: Indicated by cathode band.
- Mounting position: Any.
- Weight: 0.05 gram (approx.).



Maximum Ratings ($T_A=25^\circ\text{C}$, unless otherwise noted)

Parameter	Condition	Symbol	MIN.	TYP.	MAX.	Units
Forward voltage	IF = 200 mA	V _F			1.20	V
Power Dissipation	@TL = 75°C	P _D			1000	mW
Thermal resistance	Junction to case (Note 1)	R _{θJC}		30		°C/W
	Junction to ambient (Note 1)	R _{θJA}		50		°C/W
Operating temperature		T _J	-55		+150	°C
Storage temperature		T _{STG}	-65		+175	°C

Note: 1. Mounted on 0.2"x0.2" (5x5mm) FR-4 PCB.

Electrical Characteristics (at TA = 25°C unless otherwise noted)

Part Number	Marking Code	Zener Voltage	Test Current	Zener Impedance			Leakage Current		Surge Current
		Vz@IzT	IzT	ZzT @ IzT	Zzk @ Izk	Izk	IR	VR	Isurge
		Volts	mA	(Ω)Max	(Ω)Max	mA	(uA)Max	Volts	mA
ACZRA4728-HF	Z3V3	3.3	76	10	400	1.0	100	1.0	1380
ACZRA4729-HF	Z3V6	3.6	69	10	400	1.0	100	1.0	1260
ACZRA4730-HF	Z3V9	3.9	64	9	400	1.0	50	1.0	1190
ACZRA4731-HF	Z4V3	4.3	58	9	400	1.0	10	1.0	1070
ACZRA4732-HF	Z4V7	4.7	53	8	500	1.0	10	1.0	970
ACZRA4733-HF	Z5V1	5.1	49	7	550	1.0	10	1.0	890
ACZRA4734-HF	Z5V6	5.6	45	5	600	1.0	10	2.0	810
ACZRA4735-HF	Z6V2	6.2	41	2	700	1.0	10	3.0	730
ACZRA4736-HF	Z6V8	6.8	37	3.5	700	1.0	10	4.0	660
ACZRA4737-HF	Z7V5	7.5	34	4	700	0.5	10	5.0	605
ACZRA4738-HF	Z8V2	8.2	31	4.5	700	0.5	10	6.0	550
ACZRA4739-HF	Z9V1	9.1	28	5	700	0.5	10	7.0	500
ACZRA4740-HF	Z10	10	25	7	700	0.25	10	7.6	454
ACZRA4741-HF	Z11	11	23	8	700	0.25	5	8.4	414
ACZRA4742-HF	Z12	12	21	9	700	0.25	5	9.1	380
ACZRA4743-HF	Z13	13	19	10	700	0.25	5	9.9	344
ACZRA4744-HF	Z15	15	17	14	700	0.25	5	11.4	304
ACZRA4745-HF	Z16	16	15.5	16	700	0.25	5	12.2	285
ACZRA4746-HF	Z18	18	14	20	750	0.25	5	13.7	250
ACZRA4747-HF	Z20	20	12.5	22	750	0.25	5	15.2	225
ACZRA4748-HF	Z22	22	11.5	23	750	0.25	5	16.7	205
ACZRA4749-HF	Z24	24	10.5	25	750	0.25	5	18.2	190
ACZRA4750-HF	Z27	27	9.5	35	750	0.25	5	20.6	170
ACZRA4751-HF	Z30	30	8.5	40	1000	0.25	5	22.8	150
ACZRA4752-HF	Z33	33	7.5	45	1000	0.25	5	25.1	135
ACZRA4753-HF	Z36	36	7.0	50	1000	0.25	5	27.4	125
ACZRA4754-HF	Z39	39	6.5	60	1000	0.25	5	29.7	115
ACZRA4755-HF	Z43	43	6.0	70	1500	0.25	5	32.7	110

Note: 5% tolerance of Zener voltage.

Company reserves the right to improve product design , functions and reliability without notice.

REV:A

Electrical Characteristics (at $T_A = 25^\circ\text{C}$ unless otherwise noted)

Part Number	Marking Code	Zener Voltage	Test Current	Zener Impedance			Leakage Current		Surge Current
		$V_Z @ I_{ZT}$	I_{ZT}	$Z_{ZT} @ I_{ZT}$	$Z_{ZK} @ I_{ZK}$	I_{ZK}	I_R	V_R	I_{surge}
		Volts	mA	(Ω)Max	(Ω)Max	mA	(μA)Max	Volts	mA
ACZRA4756-HF	Z47	47	5.5	80	1500	0.25	5	35.8	95
ACZRA4757-HF	Z51	51	5.0	95	1500	0.25	5	38.8	90
ACZRA4758-HF	Z56	56	4.5	110	2000	0.25	5	42.6	80
ACZRA4759-HF	Z62	62	4.0	125	2000	0.25	5	47.1	70
ACZRA4760-HF	Z68	68	3.7	150	2000	0.25	5	51.7	65
ACZRA4761-HF	Z75	75	3.3	175	2000	0.25	5	56.0	60
ACZRA4762-HF	Z82	82	3.0	200	3000	0.25	5	62.2	55
ACZRA4763-HF	Z91	91	2.8	250	3000	0.25	5	69.2	50
ACZRA4764-HF	Z100	100	2.5	350	3000	0.25	5	76.0	45

Note: 5% tolerance of Zener voltage.

RATING AND CHARACTERISTIC CURVES (ACZRA4728-HF Thru. ACZRA4764-HF)

Fig.1 - Max. Continuous Power Derating



Fig.2 - Maximum surge power



RATING AND CHARACTERISTIC CURVES (ACZRA4728-HF Thru. ACZRA4764-HF)

Fig.3A - Range for Units to 12 Volts



Fig.3B - Range for Units 12 to 100 Volts



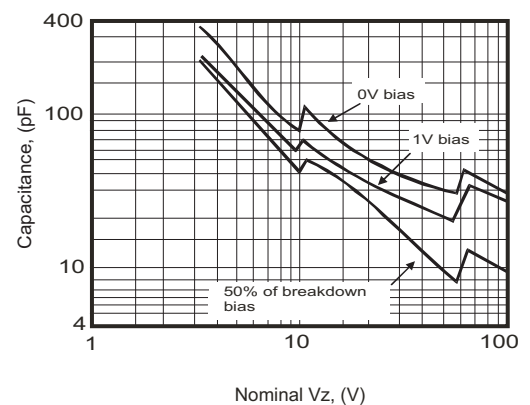
Fig.4 - Temperature Coefficients (-55°C to +150°C temperature change ; 90% of the units are in the ranges indicated.)



Fig.5 - Typical Thermal Resistance Versus Lead



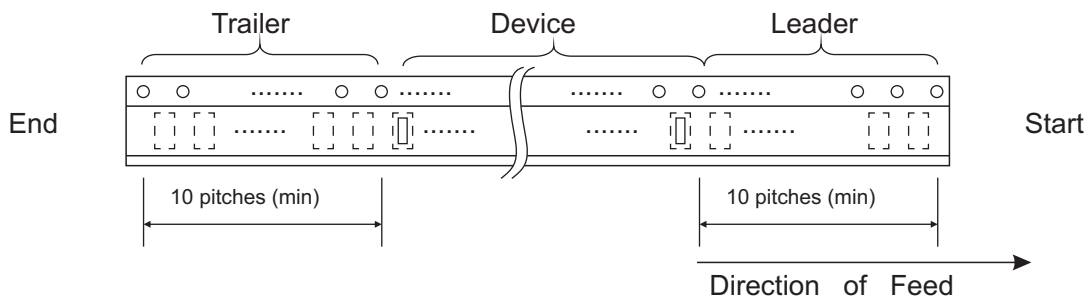
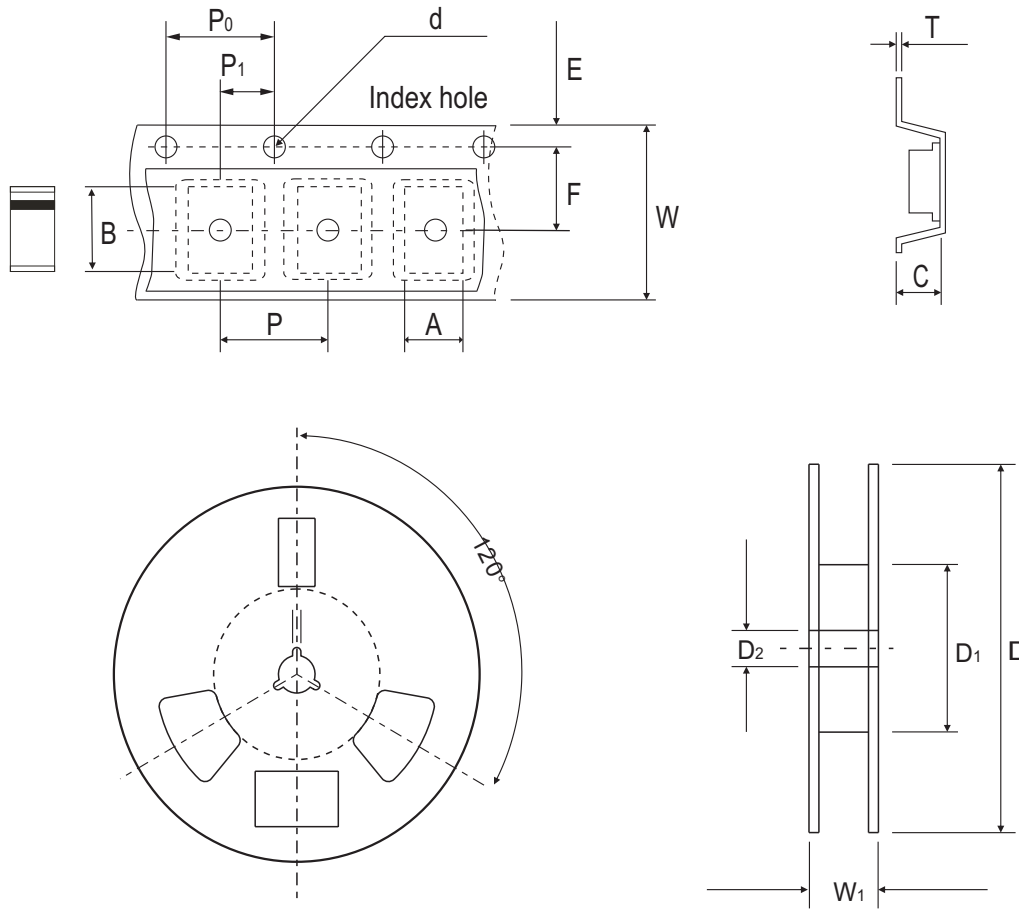
Fig.6 - Effect of Zener Current



Company reserves the right to improve product design , functions and reliability without notice.

REV:A

Reel Taping Specification



DO-214AC (SMA)	SYMBOL	A	B	C	d	D	D1	D2
	(mm)	2.80 ± 0.10	5.00 ± 0.10	1.90 ± 0.10	1.50 ± 0.10	178.0 ± 2.00	62.0 MIN.	13.00 ± 0.50
	(inch)	0.110 ± 0.004	0.200 ± 0.004	0.075 ± 0.004	0.059 ± 0.004	7.008 ± 0.079	2.441 MIN.	0.512 ± 0.020

DO-214AC (SMA)	SYMBOL	E	F	P	P0	P1	W	W1
	(mm)	1.75 ± 0.10	5.50 ± 0.10	4.00 ± 0.10	4.00 ± 0.10	2.00 ± 0.10	12.00 ± 0.30	18.00 ± 1.00
	(inch)	0.069 ± 0.004	0.216 ± 0.004	0.157 ± 0.004	0.157 ± 0.004	0.079 ± 0.004	0.472 ± 0.012	0.709 ± 0.039

Company reserves the right to improve product design , functions and reliability without notice.

REV:A

Pinning information

Pin	Simplified outline	Symbol
PIN 1 Cathode PIN 2 Anode		

Marking Code

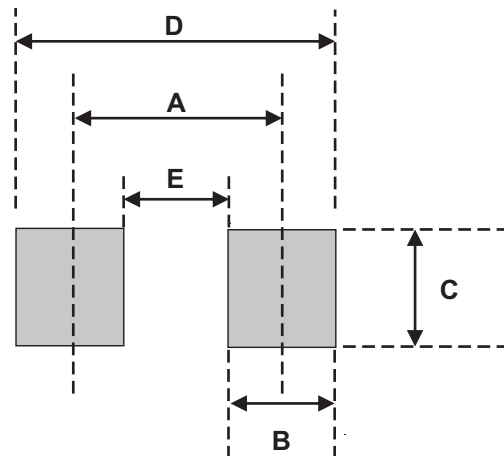
Part Number	Marking Code
ACZRA4728-HF ~ ACZRA4764-HF	XXXX



Product type marking code (see page.2~3)

Suggested PAD Layout

SIZE	DO-214AC (SMA)	
	(mm)	(inch)
A	3.80	0.150
B	1.60	0.063
C	2.80	0.110
D	5.40	0.213
E	2.20	0.087



Standard Packaging

Case Type	REEL PACK	
	REEL (pcs)	Reel Size (inch)
DO-214AC (SMA)	2,000	7

Mouser Electronics

Authorized Distributor

Click to View Pricing, Inventory, Delivery & Lifecycle Information:

Comchip Technology:

[ACZRA4763-HF](#) [ACZRA4728-HF](#) [ACZRA4747-HF](#) [ACZRA4757-HF](#) [ACZRA4740-HF](#) [ACZRA4750-HF](#)
[ACZRA4745-HF](#) [ACZRA4753-HF](#) [ACZRA4737-HF](#) [ACZRA4743-HF](#) [ACZRA4749-HF](#) [ACZRA4759-HF](#) [ACZRA4730-](#)
[HF](#) [ACZRA4760-HF](#) [ACZRA4744-HF](#) [ACZRA4756-HF](#) [ACZRA4741-HF](#) [ACZRA4731-HF](#) [ACZRA4752-HF](#)
[ACZRA4754-HF](#) [ACZRA4732-HF](#) [ACZRA4746-HF](#) [ACZRA4729-HF](#) [ACZRA4758-HF](#) [ACZRA4738-HF](#) [ACZRA4751-](#)
[HF](#) [ACZRA4734-HF](#) [ACZRA4761-HF](#) [ACZRA4735-HF](#) [ACZRA4742-HF](#) [ACZRA4736-HF](#) [ACZRA4762-HF](#)
[ACZRA4733-HF](#) [ACZRA4755-HF](#) [ACZRA4748-HF](#) [ACZRA4739-HF](#) [ACZRA4764-HF](#)