



Rev. 1.12

# AS6C4008A

## 512K X 8 BIT LOW POWER CMOS SRAM

---

### REVISION HISTORY

| <u>Revision</u> | <u>Description</u> | <u>Issue Date</u> |
|-----------------|--------------------|-------------------|
| Rev. 1.12       | Initial Issue      | May 15, 2012      |

### FEATURES

- Fast access time : 55ns
- Low power consumption:  
Operating current : 30mA (TYP.)  
Standby current : 1 $\mu$ A (TYP.) SL-version
- Single 2.7V ~ 3.6V power supply
- All inputs and outputs TTL compatible
- Fully static operation
- Tri-state output
- Data retention voltage : 1.5V (MIN.)
- **Green package available**
- Package : 32-pin 450 mil SOP
  - 32-pin 8mm x 20mm TSOP-I
  - 32-pin 8mm x 13.4mm STSOP
  - 36-ball 6mm x 8mm TFBGA
  - 32-pin 600 mil P-DIP
  - 32-pin 400 mil TSOP-II

### GENERAL DESCRIPTION

The AS6C4008A is a 4,194,304-bit low power CMOS static random access memory organized as 524,288 words by 8 bits. It is fabricated using very high performance, high reliability CMOS technology. Its standby current is stable within the range of operating temperature.

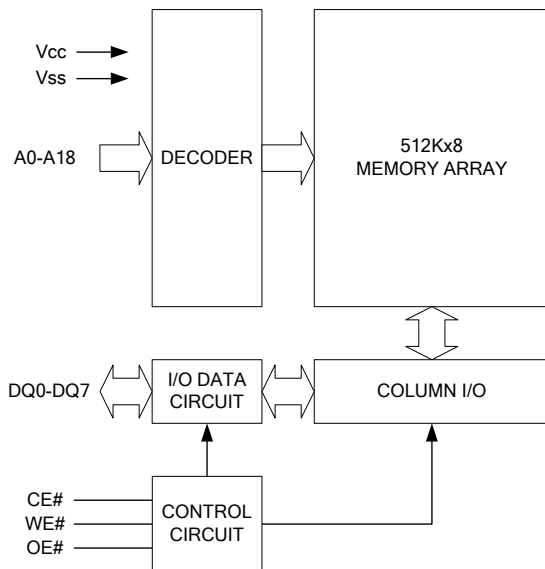
The AS6C4008A is well designed for very low power system applications, and particularly well suited for battery back-up nonvolatile memory application.

The AS6C4008A operates from a single power supply of 2.7V ~ 3.6V and all inputs and outputs are fully TTL compatible

### PRODUCT FAMILY

| Product Family | Operating Temperature | Vcc Range  | Speed | Power Dissipation          |                             |
|----------------|-----------------------|------------|-------|----------------------------|-----------------------------|
|                |                       |            |       | Standby( $I_{SB1}$ , TYP.) | Operating( $I_{CC}$ , TYP.) |
| AS6C4008A      | -40 ~ 85°C            | 2.7 ~ 3.6V | 55ns  | 1 $\mu$ A(SL)              | 30mA                        |

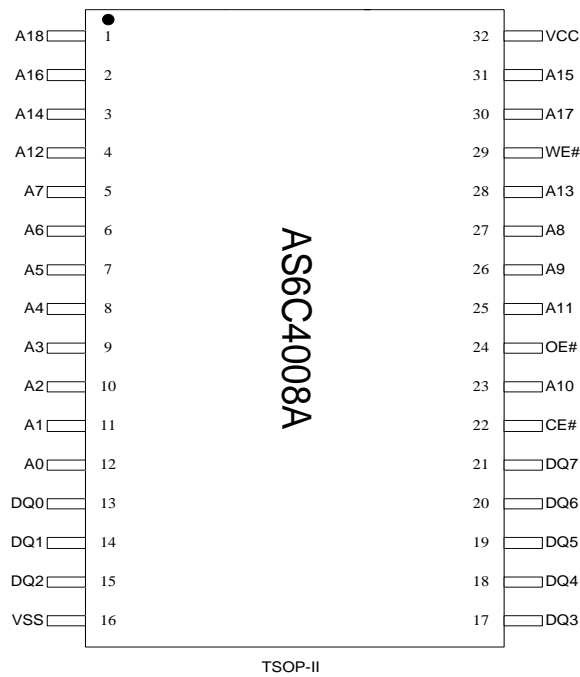
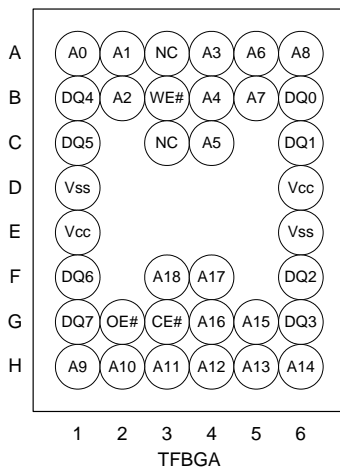
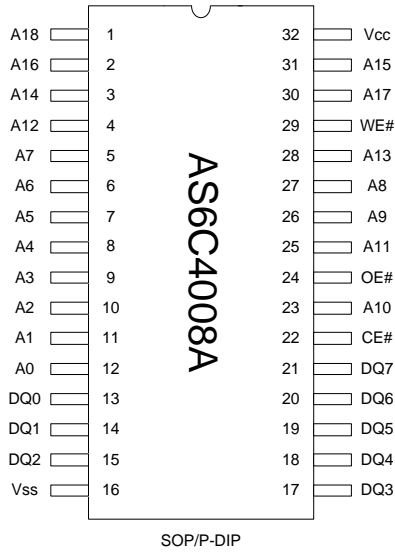
### FUNCTIONAL BLOCK DIAGRAM



### PIN DESCRIPTION

| SYMBOL    | DESCRIPTION         |
|-----------|---------------------|
| A0 - A18  | Address Inputs      |
| DQ0 - DQ7 | Data Inputs/Outputs |
| CE#       | Chip Enable Inputs  |
| WE#       | Write Enable Input  |
| OE#       | Output Enable Input |
| Vcc       | Power Supply        |
| Vss       | Ground              |
| NC        | No Connection       |

### PIN CONFIGURATION





Rev. 1.12

# AS6C4008A

## 512K X 8 BIT LOW POWER CMOS SRAM

### ABSOLUTE MAXIMUM RATINGS\*

| PARAMETER                                | SYMBOL           | RATING                       | UNIT |
|--|------------------|------------------------------|------|
| Voltage on Vcc relative to Vss           | V <sub>T1</sub>  | -0.5 to 4.6                  | V    |
| Voltage on any other pin relative to Vss | V <sub>T2</sub>  | -0.5 to V <sub>CC</sub> +0.5 | V    |
| Operating Temperature                    | T <sub>A</sub>   | -40 to 85(I grade)           | °C   |
| Storage Temperature                      | T <sub>STG</sub> | -65 to 150                   | °C   |
| Power Dissipation                        | P <sub>D</sub>   | 1                            | W    |
| DC Output Current                        | I <sub>OUT</sub> | 50                           | mA   |

\*Stresses greater than those listed under "Absolute Maximum Ratings" may cause permanent damage to the device. This is a stress rating only and functional operation of the device or any other conditions above those indicated in the operational sections of this specification is not implied. Exposure to the absolute maximum rating conditions for extended period may affect device reliability.

### TRUTH TABLE

| MODE           | CE# | OE# | WE# | I/O OPERATION    | SUPPLY CURRENT                     |
|----------------|-----|-----|-----|------------------|------------------------------------|
| Standby        | H   | X   | X   | High-Z           | I <sub>SB</sub> , I <sub>SB1</sub> |
| Output Disable | L   | H   | H   | High-Z           | I <sub>CC</sub> , I <sub>CC1</sub> |
| Read           | L   | L   | H   | D <sub>OUT</sub> | I <sub>CC</sub> , I <sub>CC1</sub> |
| Write          | L   | X   | L   | D <sub>IN</sub>  | I <sub>CC</sub> , I <sub>CC1</sub> |

Note: H = V<sub>IH</sub>, L = V<sub>IL</sub>, X = Don't care.

### DC ELECTRICAL CHARACTERISTICS

| PARAMETER                              | SYMBOL                       | TEST CONDITION   |                  | MIN.  | TYP. <sup>4</sup> | MAX.                 | UNIT |    |
|--|------------------------------|--|------------------|-------|-------------------|----------------------|------|----|
| Supply Voltage                         | V <sub>CC</sub>              |  |                  | 2.7   | 3.0               | 3.6                  | V    |    |
| Input High Voltage                     | V <sub>IH</sub> <sup>1</sup> |  |                  | 2.2   | -                 | V <sub>CC</sub> +0.3 | V    |    |
| Input Low Voltage                      | V <sub>IL</sub> <sup>2</sup> |  |                  | - 0.2 | -                 | 0.6                  | V    |    |
| Input Leakage Current                  | I <sub>LI</sub>              | V <sub>CC</sub> ≥ V <sub>IN</sub> ≥ V <sub>SS</sub>  |                  | - 1   | -                 | 1                    | μA   |    |
| Output Leakage Current                 | I <sub>LO</sub>              | V <sub>CC</sub> ≥ V <sub>OUT</sub> ≥ V <sub>SS</sub> ,<br>Output Disabled  |                  | - 1   | -                 | 1                    | μA   |    |
| Output High Voltage                    | V <sub>OH</sub>              | I <sub>OH</sub> = -1mA   |                  | 2.2   | 2.7               | -                    | V    |    |
| Output Low Voltage                     | V <sub>OL</sub>              | I <sub>OL</sub> = 2mA  |                  | -     | -                 | 0.4                  | V    |    |
| Average Operating Power supply Current | I <sub>CC</sub>              | Cycle time = Min.<br>CE# = V <sub>IL</sub> and<br>I <sub>I/O</sub> = 0mA<br>Other pins at V <sub>IL</sub> or V <sub>IH</sub> | - 55             | -     | 30                | 40                   | mA   |    |
|  | I <sub>CC1</sub>             | Cycle time = 1μs<br>CE# ≤ 0.2V and<br>I <sub>I/O</sub> = 0mA<br>Other pins at 0.2V or V <sub>CC</sub> -0.2V                  |                  | -     | 4                 | 5                    | mA   |    |
| Standby Power Supply Current           | I <sub>SB</sub>              | CE# = V <sub>IH</sub> or CE2 = V <sub>IL</sub> ,<br>other pins at V <sub>IL</sub> or V <sub>IH</sub>                         |                  | -     | 0.3               | 1.25                 | mA   |    |
|  | I <sub>SB1</sub>             | CE# ≥ V <sub>CC</sub> -0.2V<br>Others at 0.2V or<br>V <sub>CC</sub> - 0.2V   | SLI <sup>5</sup> | 25°C  | -                 | 1                    | 3    | μA |
|  |                              |  |                  | 40°C  | -                 | 1                    | 3    | μA |
|  |                              |  | SLI              |       | -                 | 1                    | 12   | μA |

## Notes:

- V<sub>IH</sub>(max) = V<sub>CC</sub> + 3.0V for pulse width less than 10ns.
- V<sub>IL</sub>(min) = V<sub>SS</sub> - 3.0V for pulse width less than 10ns.
- Over/Undershoot specifications are characterized, not 100% tested.
- Typical values are included for reference only and are not guaranteed or tested.  
Typical values are measured at V<sub>CC</sub> = V<sub>CC</sub>(TYP.) and T<sub>A</sub> = 25°C
- This parameter is measured at V<sub>CC</sub> = 3.0V

### **CAPACITANCE** ( $T_A = 25^\circ\text{C}$ , $f = 1.0\text{MHz}$ )

| PARAMETER                | SYMBOL    | MIN. | MAX | UNIT |
|--------------------------|-----------|------|-----|------|
| Input Capacitance        | $C_{IN}$  | -    | 6   | pF   |
| Input/Output Capacitance | $C_{I/O}$ | -    | 8   | pF   |

Note : These parameters are guaranteed by device characterization, but not production tested.

### **AC TEST CONDITIONS**

|  |  |
|--|--|
| Input Pulse Levels                       | 0.2V to $V_{CC} - 0.2V$  |
| Input Rise and Fall Times                | 3ns  |
| Input and Output Timing Reference Levels | 1.5V   |
| Output Load                              | $C_L = 30\text{pF} + 1\text{TTL}$ , $I_{OH}/I_{OL} = -1\text{mA}/2\text{mA}$ |

### **AC ELECTRICAL CHARACTERISTICS**

#### (1) READ CYCLE

| PARAMETER                          | SYM.        | AS6C4008A-55 |      | UNIT |
|------------------------------------|-------------|--------------|------|------|
|                                    |             | MIN.         | MAX. |      |
| Read Cycle Time                    | $t_{RC}$    | 55           | -    | ns   |
| Address Access Time                | $t_{AA}$    | -            | 55   | ns   |
| Chip Enable Access Time            | $t_{ACE}$   | -            | 55   | ns   |
| Output Enable Access Time          | $t_{OE}$    | -            | 30   | ns   |
| Chip Enable to Output in Low-Z     | $t_{CLZ}^*$ | 10           | -    | ns   |
| Output Enable to Output in Low-Z   | $t_{OLZ}^*$ | 5            | -    | ns   |
| Chip Disable to Output in High-Z   | $t_{CHZ}^*$ | -            | 20   | ns   |
| Output Disable to Output in High-Z | $t_{OHZ}^*$ | -            | 20   | ns   |
| Output Hold from Address Change    | $t_{OH}$    | 10           | -    | ns   |

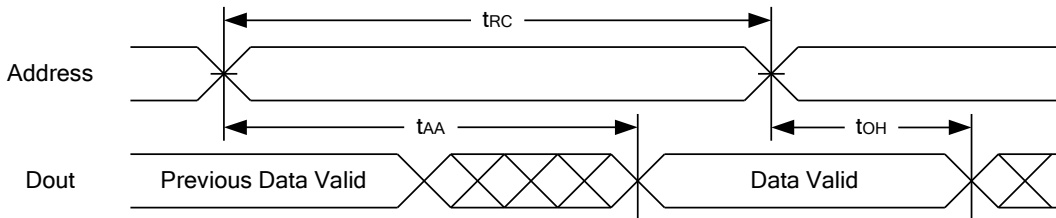
#### (2) WRITE CYCLE

| PARAMETER                        | SYM.        | AS6C4008A-55 |      | UNIT |
|----------------------------------|-------------|--------------|------|------|
|                                  |             | MIN.         | MAX. |      |
| Write Cycle Time                 | $t_{WC}$    | 55           | -    | ns   |
| Address Valid to End of Write    | $t_{AW}$    | 50           | -    | ns   |
| Chip Enable to End of Write      | $t_{CW}$    | 50           | -    | ns   |
| Address Set-up Time              | $t_{AS}$    | 0            | -    | ns   |
| Write Pulse Width                | $t_{WP}$    | 45           | -    | ns   |
| Write Recovery Time              | $t_{WR}$    | 0            | -    | ns   |
| Data to Write Time Overlap       | $t_{DW}$    | 25           | -    | ns   |
| Data Hold from End of Write Time | $t_{DH}$    | 0            | -    | ns   |
| Output Active from End of Write  | $t_{OW}^*$  | 5            | -    | ns   |
| Write to Output in High-Z        | $t_{WHZ}^*$ | -            | 20   | ns   |

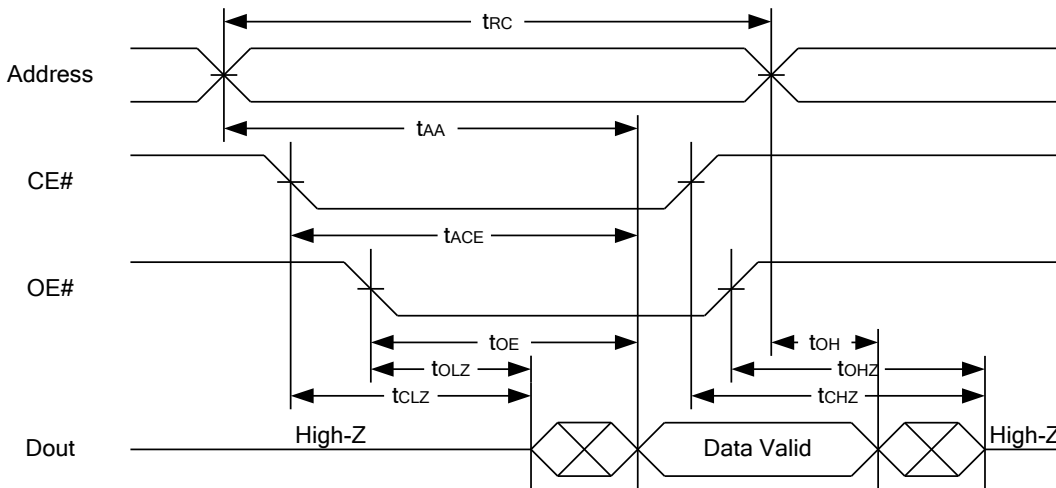
\*These parameters are guaranteed by device characterization, but not production tested.

### TIMING WAVEFORMS

#### READ CYCLE 1 (Address Controlled) (1,2)

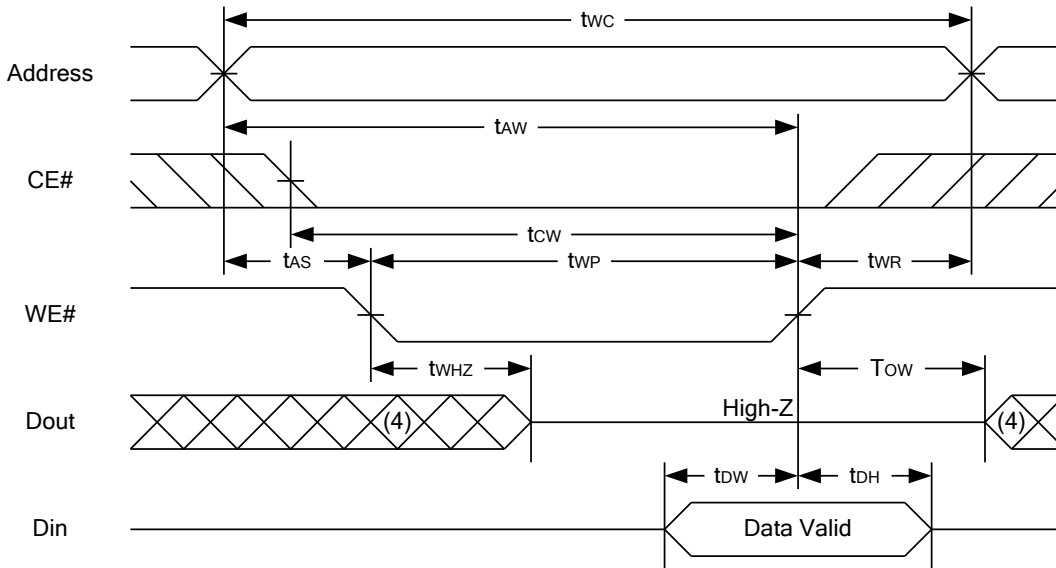
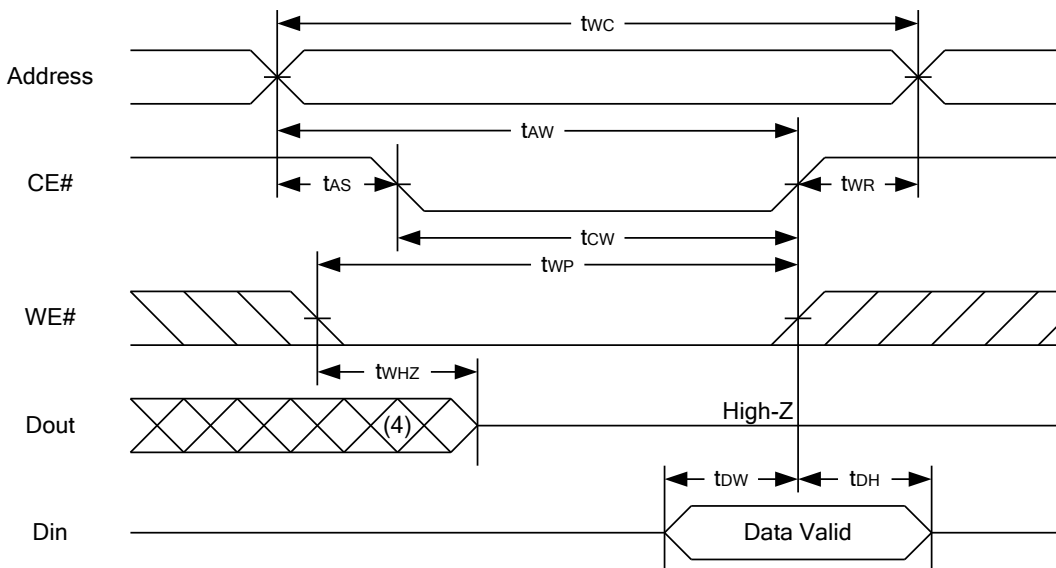


#### READ CYCLE 2 (CE# and OE# Controlled) (1,3,4,5)



#### Notes :

1. WE# is high for read cycle.
2. Device is continuously selected OE# = low, CE# = low.
3. Address must be valid prior to or coincident with CE# = low,; otherwise tAA is the limiting parameter.
4. tCLZ, tOLZ, tCHZ and tOHZ are specified with CL = 5pF. Transition is measured ±500mV from steady state.
5. At any given temperature and voltage condition, tCHZ is less than tCLZ , tOHZ is less than tOLZ.

**WRITE CYCLE 1 (WE# Controlled) (1,2,3,5,6)**

**WRITE CYCLE 2 (CE# Controlled) (1,2,5,6)**

**Notes :**

1. WE#, CE# must be high during all address transitions.
2. A write occurs during the overlap of a low CE#, low WE#.
3. During a WE# controlled write cycle with OE# low,  $t_{WP}$  must be greater than  $t_{WHZ} + t_{DW}$  to allow the drivers to turn off and data to be placed on the bus.
4. During this period, I/O pins are in the output state, and input signals must not be applied.
5. If the CE# low transition occurs simultaneously with or after WE# low transition, the outputs remain in a high impedance state.
6.  $t_{OW}$  and  $t_{WHZ}$  are specified with  $C_L = 5pF$ . Transition is measured  $\pm 500mV$  from steady state.

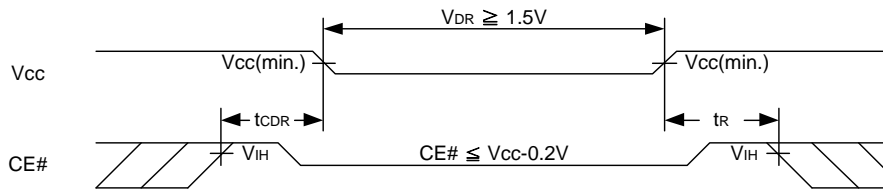


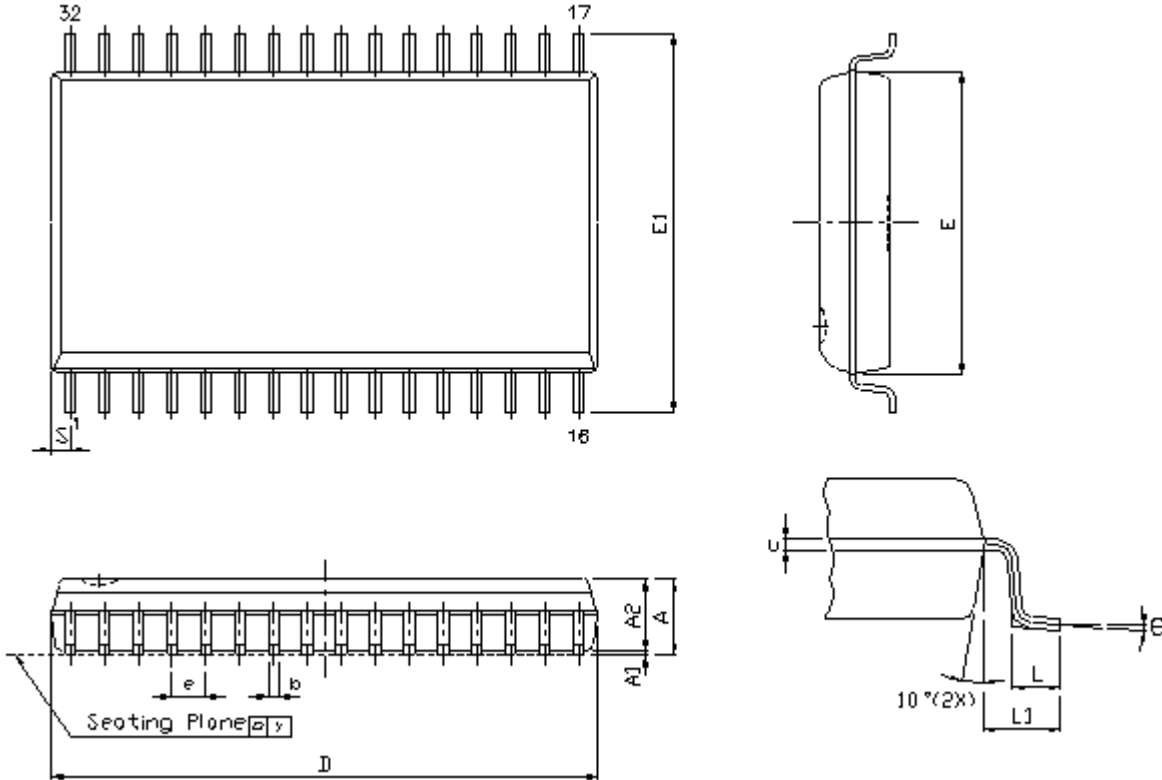
### DATA RETENTION CHARACTERISTICS

| PARAMETER                           | SYMBOL           | TEST CONDITION  | MIN.             | TYP. | MAX. | UNIT |     |    |
|-------------------------------------|------------------|---|------------------|------|------|------|-----|----|
| VCC for Data Retention              | V <sub>DR</sub>  | CE# ≥ V <sub>CC</sub> - 0.2V  | 1.5              | -    | 3.6  | V    |     |    |
| Data Retention Current              | I <sub>DR</sub>  | V <sub>CC</sub> = 1.5V<br>CE# ≥ V <sub>CC</sub> - 0.2V<br>Other pins at 0.2V or V <sub>CC</sub> -0.2V | SLI              | 25°C | -    | 0.5  | 2.5 | μA |
|                                     |                  |   |                  | 40°C | -    | 0.5  | 2.5 | μA |
|                                     |                  | SLI   |                  | -    | 0.5  | 10   | μA  |    |
| Chip Disable to Data Retention Time | t <sub>CDR</sub> | See Data Retention Waveforms (below)  | 0                | -    | -    | ns   |     |    |
| Recovery Time                       | t <sub>r</sub>   |   | t <sub>RC*</sub> | -    | -    | ns   |     |    |

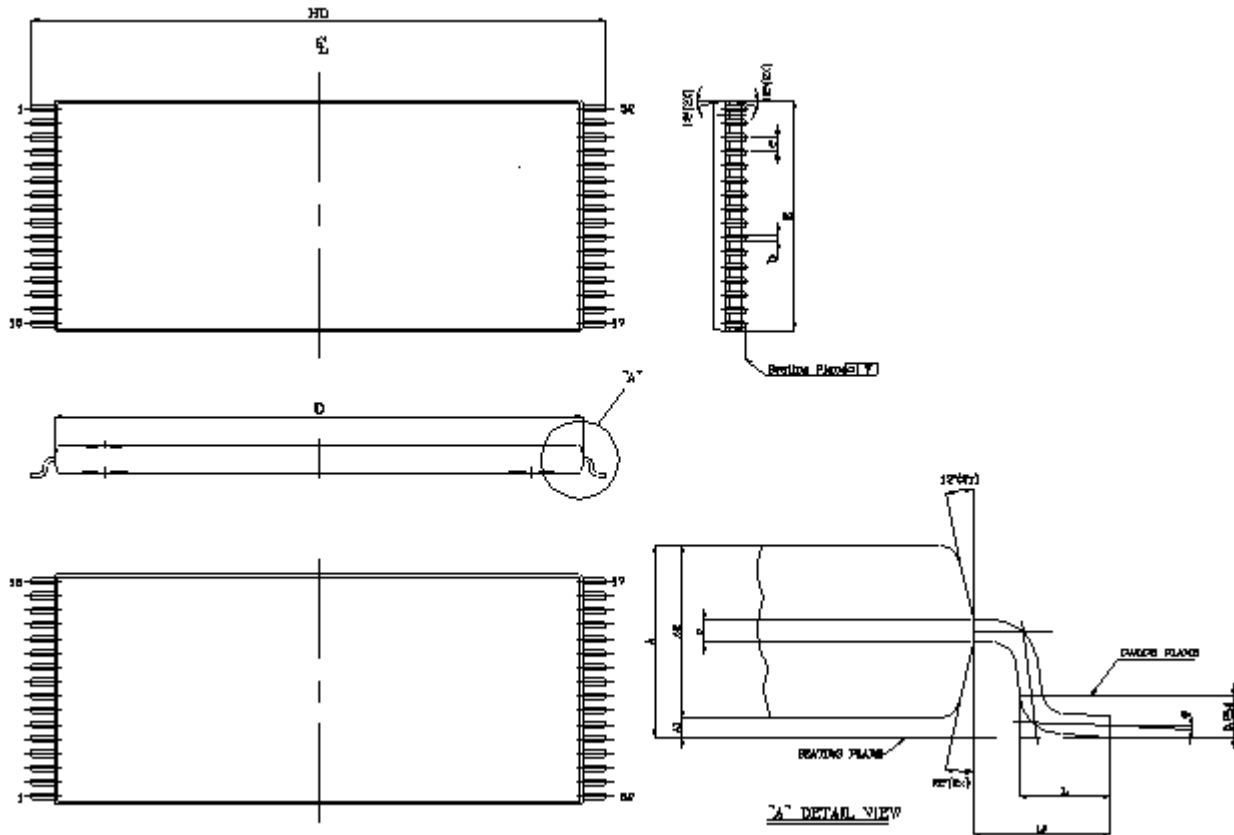
t<sub>RC\*</sub> = Read Cycle Time

### DATA RETENTION WAVEFORM

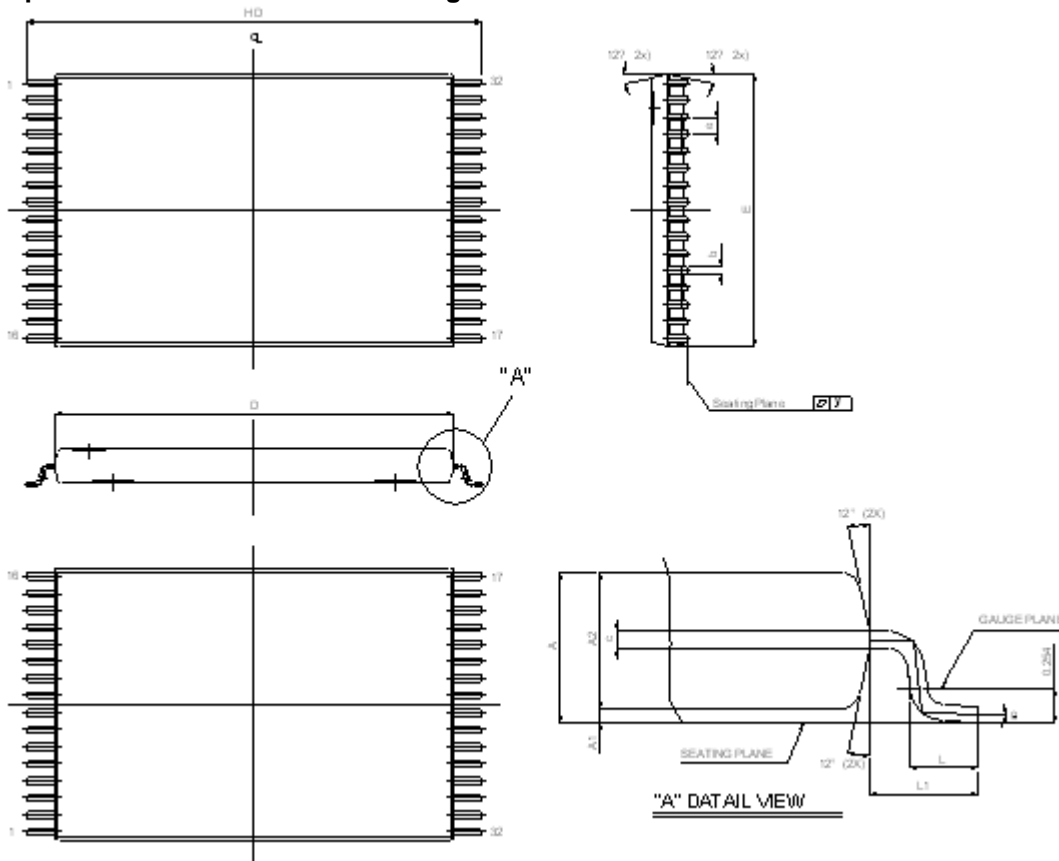


**PACKAGE OUTLINE DIMENSION**
**32 pin 450 mil SOP Package Outline Dimension**


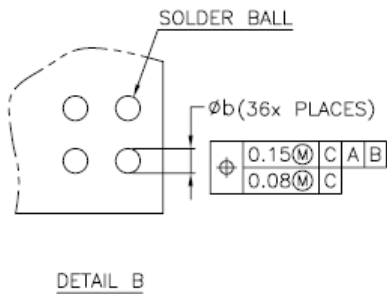
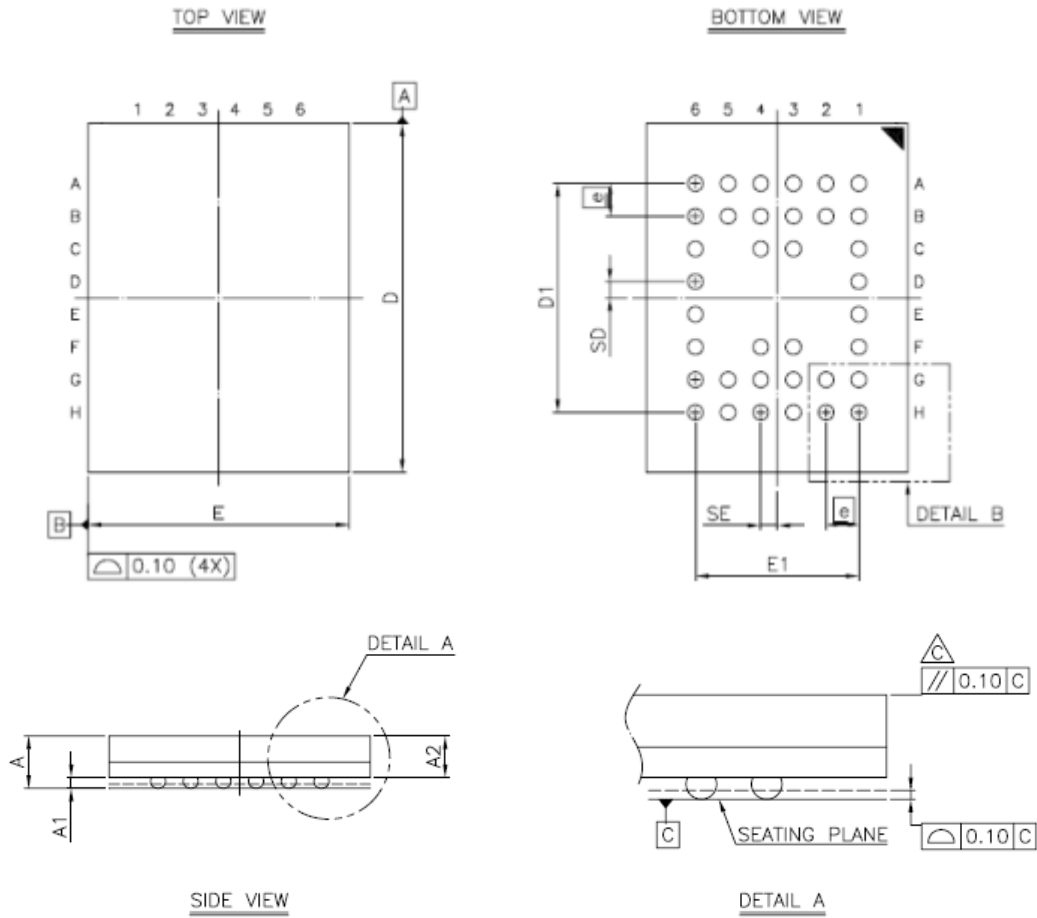
| SYM. | UNIT | INCH.(BASE) | MM(REF)      |
|------|------|-------------|--------------|
| A    |      | 0.120(MAX)  | 3.048(MAX)   |
| A1   |      | 0.004(MIN)  | 0.102(MIN)   |
| A2   |      | 0.116(MAX)  | 2.946(MAX)   |
| b    |      | 0.016(TYP)  | 0.406(TYP)   |
| c    |      | 0.008(TYP)  | 0.203(TYP)   |
| D    |      | 0.817(MAX)  | 20.75(MAX)   |
| E    |      | 0.445±0.006 | 11.303±0.152 |
| E1   |      | 0.555±0.025 | 14.097±0.635 |
| e    |      | 0.050(TYP)  | 1.270(TYP)   |
| L    |      | 0.033±0.017 | 0.838±0.432  |
| L1   |      | 0.055±0.008 | 1.397±0.203  |
| S    |      | 0.026(MAX)  | 0.660(MAX)   |
| y    |      | 0.004(MAX)  | 0.101(MAX)   |
| Θ    |      | 0° -10°     | 0° -10°      |

**32 pin 8mm x 20mm TSOP-I Package Outline Dimension**


| SYM. | UNIT | INCH(BASE)    | MM(REF)      |
|------|------|---------------|--------------|
| A    |      | 0.047 (MAX)   | 1.20 (MAX)   |
| A1   |      | 0.004 ±0.002  | 0.10 ±0.05   |
| A2   |      | 0.039 ±0.002  | 1.00 ±0.05   |
| b    |      | 0.009 ±0.002  | 0.22 ±0.05   |
| c    |      | 0.006 ±0.002  | 0.155 ±0.055 |
| D    |      | 0.724 ±0.008  | 18.40 ±0.20  |
| E    |      | 0.315 ±0.008  | 8.00 ±0.20   |
| e    |      | 0.020 (TYP)   | 0.50 (TYP)   |
| HD   |      | 0.787 ±0.008  | 20.00 ±0.20  |
| L    |      | 0.024 ±0.004  | 0.60 ±0.10   |
| L1   |      | 0.0315 ±0.004 | 0.08 ±0.10   |
| y    |      | 0.003 (MAX)   | 0.08 (MAX)   |
| ∅    |      | 0°~5°         | 0°~5°        |

**32 pin 8mm x 13.4mm STSOP Package Outline Dimension**


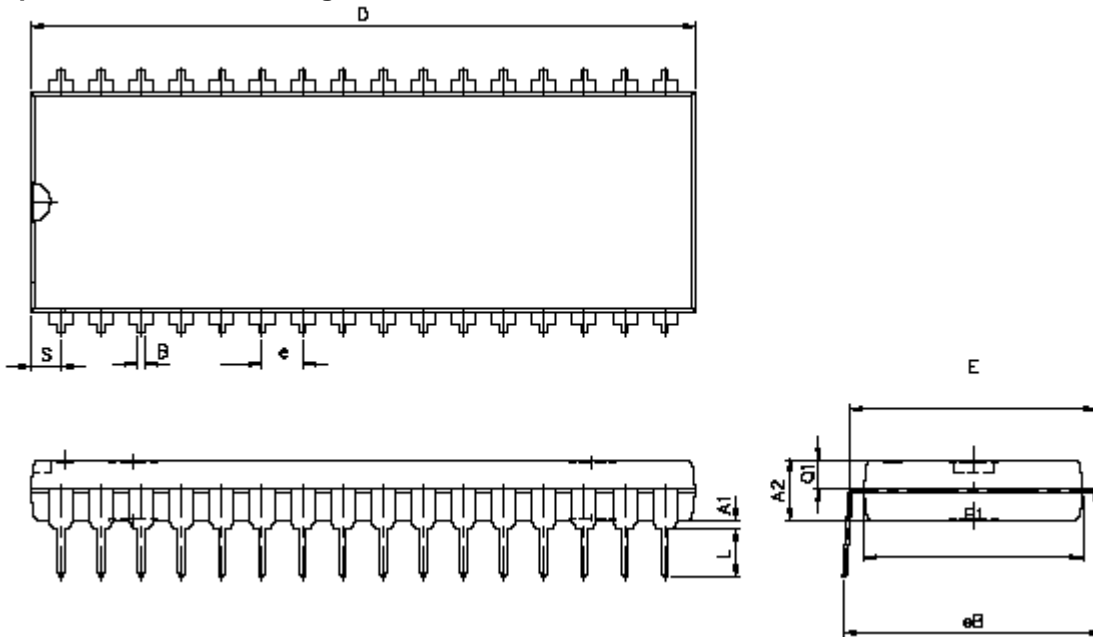
| SYM. | UNIT         |              |
|------|--------------|--------------|
|      | INCH(BASE)   | MM(REF)      |
| A    | 0.049 (MAX)  | 1.25 (MAX)   |
| A1   | 0.004 ±0.002 | 0.10 ±0.05   |
| A2   | 0.039 ±0.002 | 1.00 ±0.05   |
| b    | 0.009 ±0.002 | 0.22 ±0.05   |
| c    | 0.006 ±0.002 | 0.155 ±0.055 |
| D    | 0.465 ±0.008 | 11.80 ±0.20  |
| E    | 0.315 ±0.008 | 8.00 ±0.20   |
| e    | 0.020 (TYP)  | 0.50 (TYP)   |
| HD   | 0.528±0.008  | 13.40 ±0.20. |
| L    | 0.02 ±0.008  | 0.50 ±0.20   |
| L1   | 0.031 ±0.005 | 0.8 ±0.125   |
| y    | 0.003 (MAX)  | 0.076 (MAX)  |
| Θ    | 0°~5°        | 0°~5°        |

**36 ball 6mm x 8mm TFBGA Package Outline Dimension**


| SYM. | DIMENSION (mm) |      |      | DIMENSION (inch) |       |       |
|------|----------------|------|------|------------------|-------|-------|
|      | MIN.           | NOM. | MAX. | MIN.             | NOM.  | MAX.  |
| A    | —              | —    | 1.20 | —                | —     | 0.047 |
| A1   | 0.20           | 0.25 | 0.30 | 0.008            | 0.010 | 0.012 |
| A2   | —              | —    | 0.94 | —                | —     | 0.037 |
| b    | 0.30           | 0.35 | 0.40 | 0.012            | 0.014 | 0.016 |
| D    | 7.95           | 8.00 | 8.05 | 0.313            | 0.315 | 0.317 |
| D1   | 5.25 BSC       |      |      | 0.207 BSC        |       |       |
| E    | 5.95           | 6.00 | 6.05 | 0.234            | 0.236 | 0.238 |
| E1   | 3.75 BSC       |      |      | 0.148 BSC        |       |       |
| SE   | 0.375 TYP      |      |      | 0.015 TYP        |       |       |
| SD   | 0.375 TYP      |      |      | 0.015 TYP        |       |       |
| Ⓜ    | 0.75 BSC       |      |      | 0.030 BSC        |       |       |

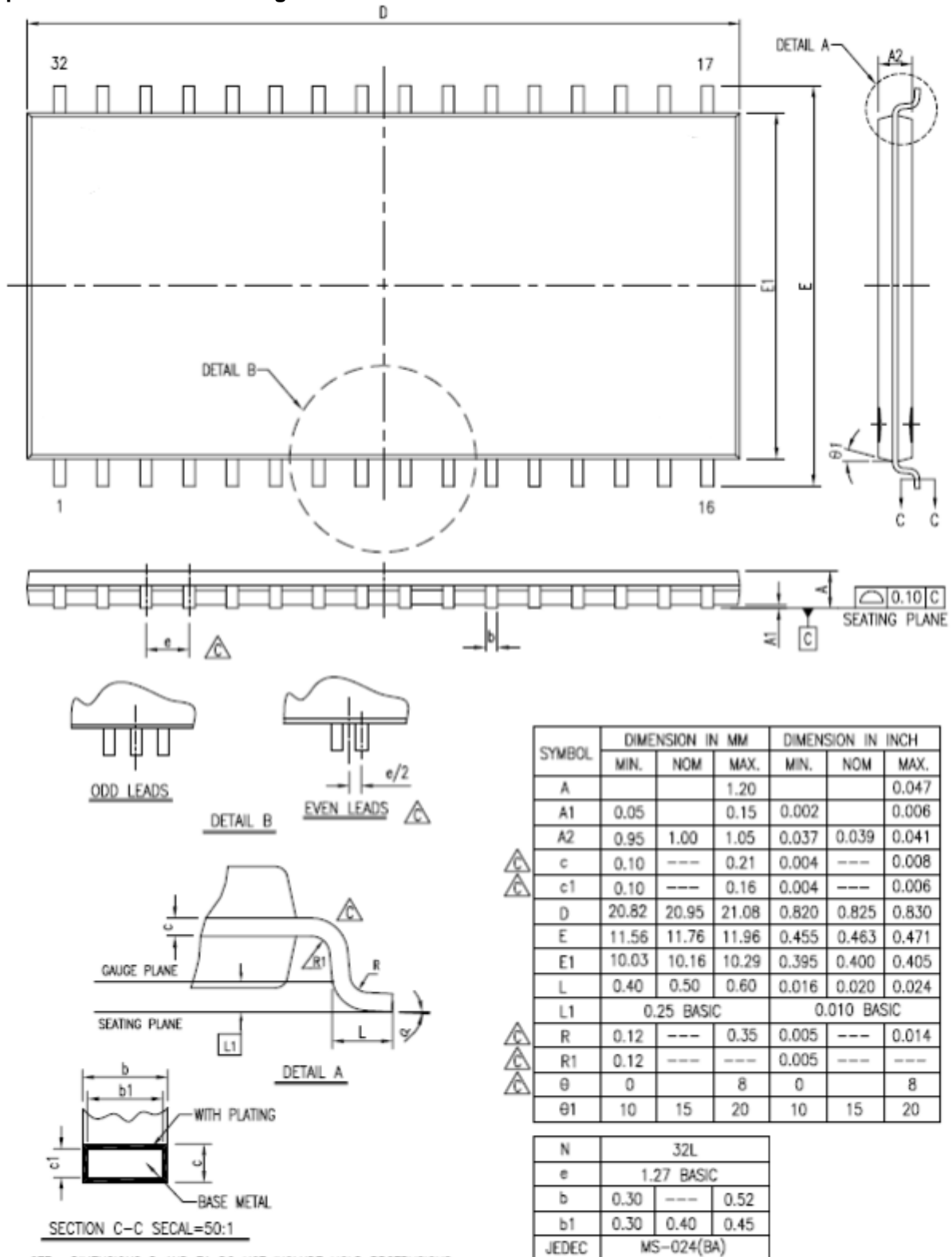
## NOTE:

1. CONTROLLING DIMENSION : MILLIMETER.
2. REFERENCE DOCUMENT : JEDEC MO-207.

**32 pin 600 mil P-DIP Package Outline Dimension**


| SYM. | UNIT | INCH(BASE)  | MM(REF)       |
|------|------|-------------|---------------|
| A1   |      | 0.015(MIN)  | 0.381(MIN)    |
| A2   |      | 0.155±0.005 | 3.937±0.127   |
| B    |      | 0.018±0.005 | 0.457±0.127   |
| D    |      | 1.650±0.01  | 41.910±0.254  |
| E    |      | 0.600±0.010 | 15.240±0.254  |
| E1   |      | 0.545±0.005 | 13.843±0.127  |
| e    |      | 0.100(TYP)  | 2.540(TYP)    |
| eB   |      | 0.650±0.020 | 16.510±0.508. |
| L    |      | 0.158±0.043 | 4.013±1.092   |
| S    |      | 0.075±0.010 | 1.905±0.254   |
| Q1   |      | 0.070±0.005 | 1.778±0.127   |

Note : D/E1/S dimension do not include mold flash.

**32-pin 400mil TSOP-II Package Outline Dimension**


NOTE: DIMENSIONS D AND E1 DO NOT INCLUDE MOLD PROTRUSIONS.  
D AND E1 ARE MAXIMUM PLASTIC BODY SIZE DIMENSIONS INCLUDING MOLD MISMATCH.

### ORDERING INFORMATION

| Alliance         | Organization | VCC | Package                   | Operating Temp             | Speed ns |
|------------------|--------------|-----|---------------------------|----------------------------|----------|
| AS6C4008A-55PCN  | 512k x 8     | 3V  | 32pin 600mil DIP          | Commercial - 0°C to 70°C   | 55       |
| AS6C4008A-55SIN  | 512k x 8     | 3V  | 32pin 450mil SOP          | Industrial - -40°C to 85°C | 55       |
| AS6C4008A-55TIN  | 512k x 8     | 3V  | 32pin TSOP 1 (8 x 20 mm)  | Industrial - -40°C to 85°C | 55       |
| AS6C4008A-55STIN | 512k x 8     | 3V  | 32pin sTSOP (8 x 13.4 mm) | Industrial - -40°C to 85°C | 55       |
| AS6C4008A-55BIN  | 512k x 8     | 3V  | 36pin TFBGA (6mm x 8mm)   | Industrial - -40°C to 85°C | 55       |
| AS6C4008A-55ZIN  | 512k x 8     | 3V  | 32pin 400mil TSOP 11      | Industrial - -40°C to 85°C | 55       |

### PART NUMBERING SYSTEM

| AS6C                  | 4008                                  | -55         | X  | X  | N                                 |
|-----------------------|---------------------------------------|-------------|--|--|-----------------------------------|
| Low power SRAM prefix | Device Number<br>40 = 4M<br>08 = by 8 | Access Time | Package Options:<br>P = 32 pin 600 mil P-DIP<br>S = 32 pin 450 mil SOP<br>T = 32 pin TSOP 1 (8mm x 20mm)<br>Z = 32 pin 400 mil TSOP 11<br>ST = 32 pin sTSOP (8mm x 13.4mm)<br>B = 36 pin TFBGA (6mm x 8mm) | Temperature Range:<br>C = Commercial (0°C to +70°C)<br>I = Industrial (-40°C to +85°C) | N = Lead Free ROHS Compliant Part |



# Mouser Electronics

Authorized Distributor

Click to View Pricing, Inventory, Delivery & Lifecycle Information:

## Alliance Memory:

[AS6C4008A-55BIN](#) [AS6C4008A-55BINTR](#) [AS6C4008A-55SIN](#) [AS6C4008A-55SINTR](#) [AS6C4008A-55STIN](#)  
[AS6C4008A-55STINTR](#) [AS6C4008A-55TIN](#) [AS6C4008A-55TINTR](#) [AS6C4008A-55ZIN](#) [AS6C4008A-55ZINTR](#)