



pui
audio™ inc
a projects unlimited company

AS04008CO-2-WR-R 40 x 20mm Speaker

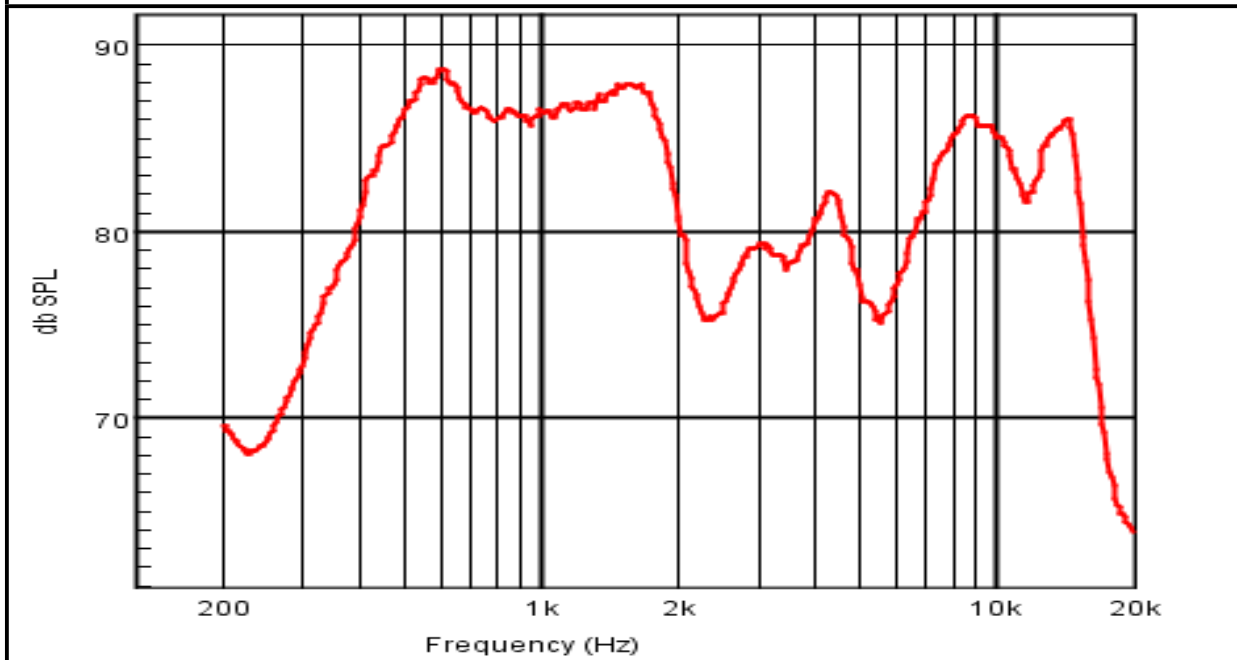
3541 Stop Eight Road • Dayton, Ohio 45414

Product Overview

- 40 x 20mm oval speaker with Neodymium magnet
- 84 dB sensitivity (1W/0.5m)
- 1.5W continuous, 3W maximum power handling and 8Ω impedance
- Water-resistant cone and great for vocal reproduction

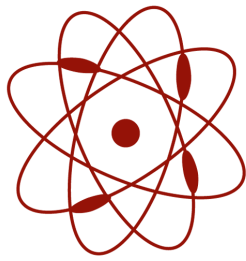


Frequency Response (1W @ 0.5 meters)



RoHS Compliant





pui
audio™ inc
a projects unlimited company

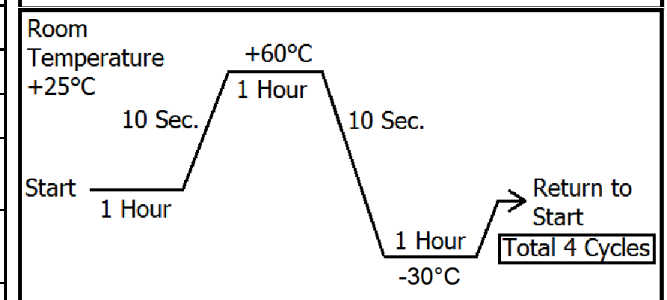
AS04008CO-2-WR-R 40 x 20mm Speaker

Mechanical and Environment Testing

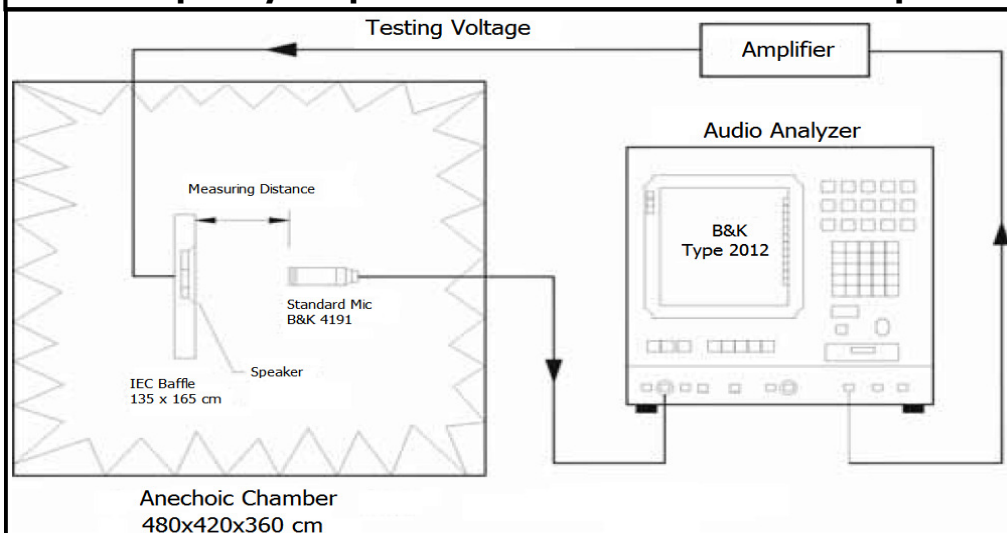
Test Description	Test Condition
High Temperature	60°C ±2°C with random humidity for 96 hours
Low Temperature	-30°C ±2°C with random humidity for 96 hours
Humidity	40°C with 90% to 95% relative humidity for 96 hours
Vibration	1.5 mm movement modulated at 10 to 55 Hz for 2 hours
Drop Test	75 cm free fall onto concrete floor, 10 cycles
Temperature Cycle Test	-30°C to 60°C, 4 cycles (refer to Temperature Cycle Test Graph)

After tests, speaker shall rest for 1 hours. SPL shall not deviate ±4 dB from pre-test measurement.

Temperature Cycle Test Graph



Frequency Response and SPL Measurement Setup



Thiele-Small Parameters

Specification	Value
Fo (Hz)	550
Qes	5.68
Qms	3.46
Qts	2.15
Vas (mm³)	9.8k
Sd (mm²)	452
Mms (g)	0.226
Re (ohm)	7.4
BL (T)	0.96

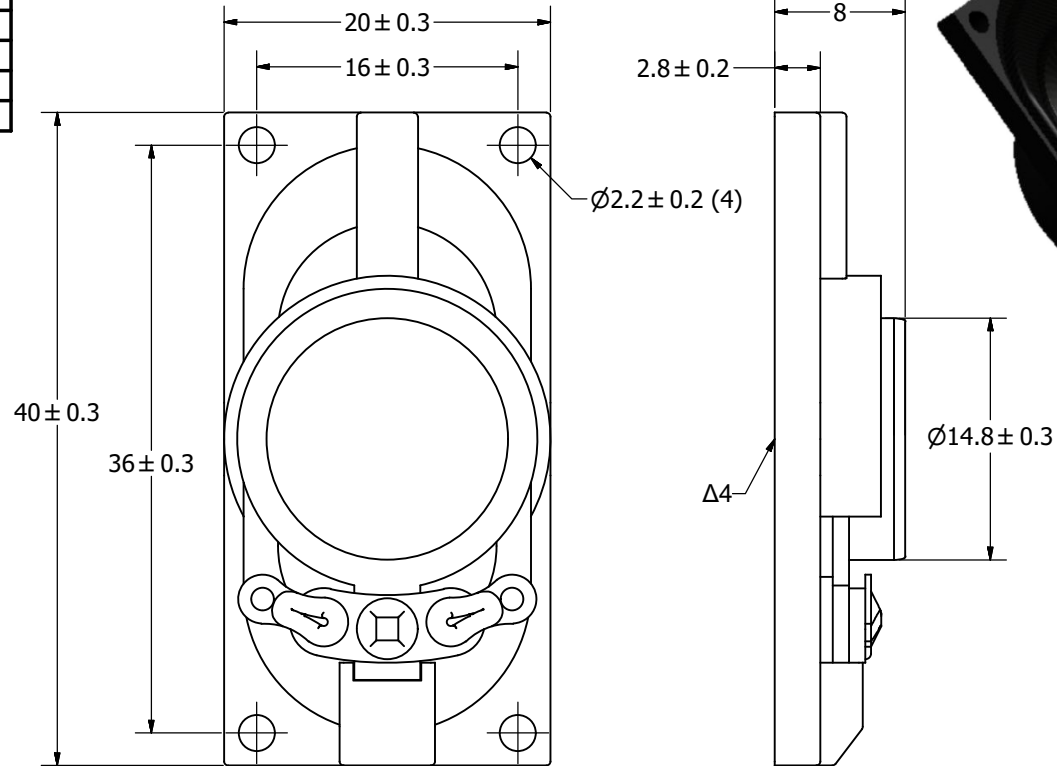
SPECIFICATIONS

PARAMETERS	VALUES	UNITS
RATED INPUT POWER	1.5	W
MAX INPUT POWER	3	W
IMPEDANCE	8 ± 15%	OHM
OUTPUT SPL @ 1W/0.5M (AT 0.8, 1.0, 1.2, 1.5 kHz)	84 ± 3	dB
DISTORTION (MAX.)	5%	-
RESONANT FREQUENCY	550 ± 20%	Hz
FREQUENCY RANGE	200 ~ 20,000	Hz
HOUSING MATERIAL	ABS	-
CONE MATERIAL	TREATED CLOTH	-
MAGNET MATERIAL	Nd-Fe-B	-
OPERATING TEMPERATURE	-40 ~ +85	°C
WEIGHT	8	grams

THIS DOCUMENT CONTAINS DATA PROPRIETARY TO PROJECTS UNLIMITED, INC. ANY USE OR REPRODUCTION, IN ANY FORM, WITHOUT PRIOR WRITTEN PERMISSION OF PROJECTS UNLIMITED, INC. IS PROHIBITED.
©2003, Projects Unlimited Inc.

REVISION HISTORY

LTR	DESCRIPTION	DATE	APPROVED
-	RELEASED FROM ENGINEERING	5/7/2006	
A	REVISED RESONANT FREQUENCY	3/11/2008	R.W.
B	REVISED OPERATING TEMPERATURE	8/8/2008	C.W.
C	REVISED TO INVENTOR 3-D DRAWING TEMPLATE	12/12/2008	B.R.
D	ADDED NOTE 5	8/11/2011	B.R.



NOTES:

- ALL DIMENSIONS ARE IN MILLIMETERS.
- SPECIFICATIONS SUBJECT TO CHANGE OR WITHDRAWAL WITHOUT NOTICE.
- THIS PART IS RoHS 2002/95/EC COMPLIANT.
- Δ4. CONE HAS BEEN TREATED FOR WATER RESISTANCE.
- BASE SPEAKER PUI# AS04008CO-2-R.

UNLESS OTHERWISE SPECIFIED: DIMENSIONS ARE IN MILLIMETERS, TOLERANCES ARE ±0.5 AND ANGLES ARE ±3°.	SIZE	Designed by	Date	Checked by	Date	Approved by	Date	Drawn Date	
	A3	J.D.	5/7/2006	E.P.	5/7/2006	B.R.	5/7/2006	12/12/2008	
AS04008CO-2-WR-R.idw	 pui audio a projects unlimited company		AS04008CO-2-WR-R			Speaker		Edition -	Sheet 1 / 1

Mouser Electronics

Authorized Distributor

Click to View Pricing, Inventory, Delivery & Lifecycle Information:

[PUI Audio:](#)

[AS04008CO-2-WR-R](#)