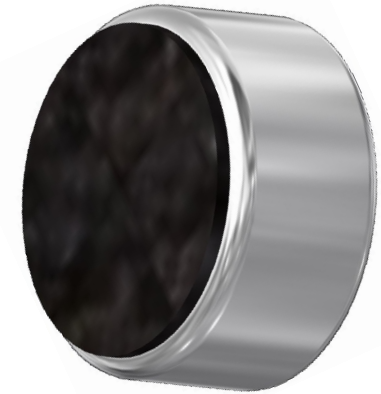


pui
audio™ inc
a projects unlimited company

ANM-5254L-R Noise Canceling Microphone

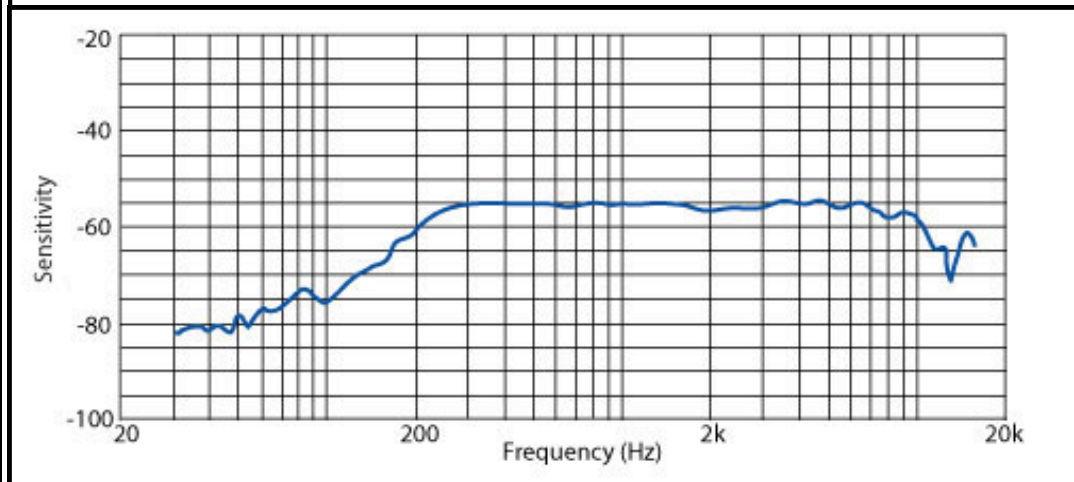


3541 Stop Eight Road • Dayton, Ohio 45414

Product Overview

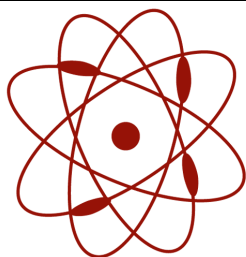
- 9.7mm overall diameter and 5.2mm height with solder pads
- -54 dB sensitivity for use in noisy environments
- Wide 1.5 to 10 VDC operating voltage and 50-16,000 Hz frequency response
- >60 dB signal-to-noise ratio and 680 ohm impedance
- Bi-directional response pattern rejects off-axis sound

Typical Frequency Response



An Initiative of the EICC and GeSI

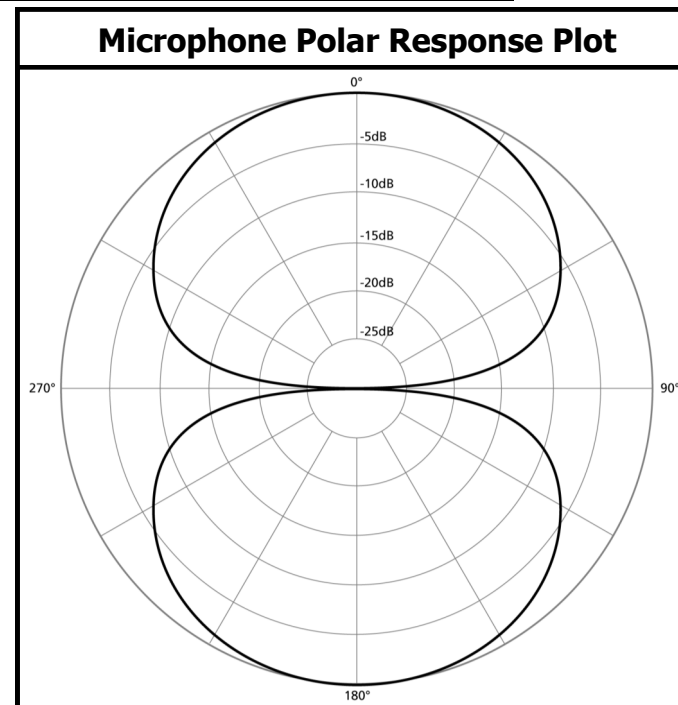
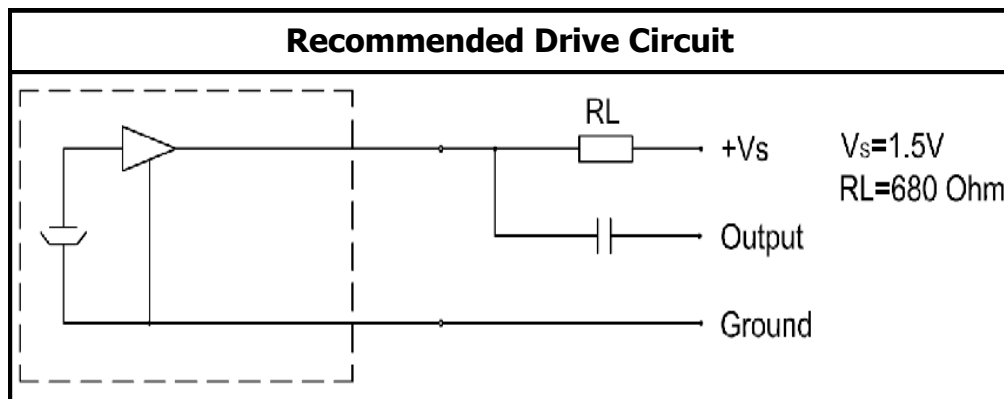




pui
audio™
a projects unlimited company

ANM-5254L-R Noise Canceling Microphone

Mechanical and Environment Testing	
Test Description	Test Condition
High Temperature	50°C with random humidity for 96 hours
Low Temperature	-10°C with random humidity for 96 hours
Humidity	40°C with 90% relative humidity for 200 hours
Vibration	3 mm movement for 3 minutes in each of 3 axis
Drop Test	70 cm free fall onto 20 mm thick board, two directions
Temperature Cycle Test	-10°C to 50°C, 5 cycles



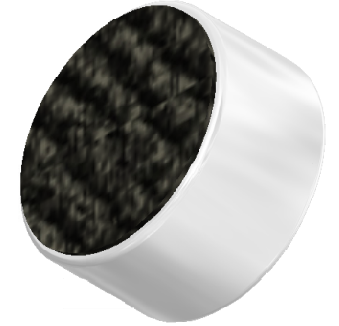
SPECIFICATIONS

PARAMETERS	VALUES	UNITS
DIRECTIVITY	NOISE CANCELLING	-
SENSITIVITY	-54 ± 4	dB
STANDARD OPERATING VOLTAGE	1.5	Vdc
MAX OPERATING VOLTAGE	10	Vdc
CURRENT CONSUMPTION (MAX)	0.5	mA
IMPEDANCE	680±0.5%	Ohm
SIGNAL TO NOISE RATIO (MIN.)	60	dB
TERMINAL	SOLDER PADS	-
INTERNAL CAPACITOR	N/A	pF

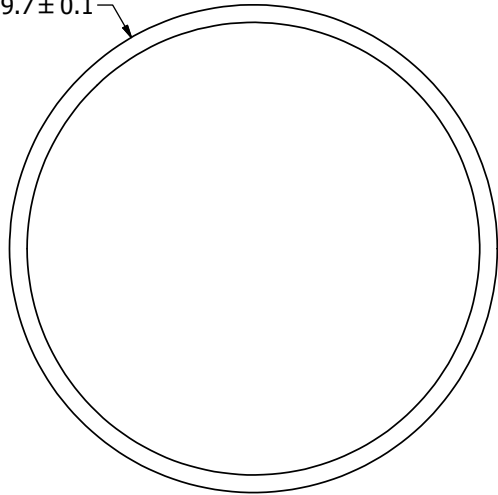
THIS DOCUMENT CONTAINS DATA PROPRIETARY TO PROJECTS UNLIMITED, INC. ANY USE OR REPRODUCTION, IN ANY FORM, WITHOUT PRIOR WRITTEN PERMISSION OF PROJECTS UNLIMITED, INC. IS PROHIBITED.
©2003, Projects Unlimited Inc.

REVISION HISTORY

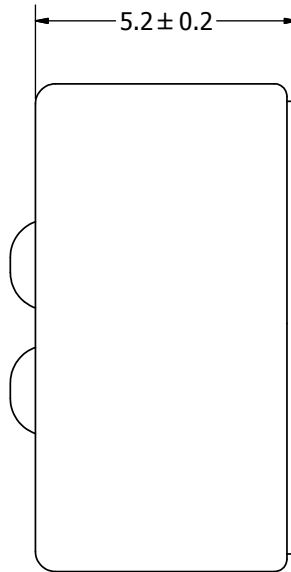
LTR	DESCRIPTION	DATE	APPROVED
-	RELEASED FROM ENGINEERING	1/30/2006	
A	ADDED TERMINAL POLARITY	1/30/2007	R.W.
B	REVISED IMPEDANCE	6/11/10	B.R.
C	REVISED TO INVENTOR 3-D DRAWING TEMPLATE	8/31/2010	B.R.



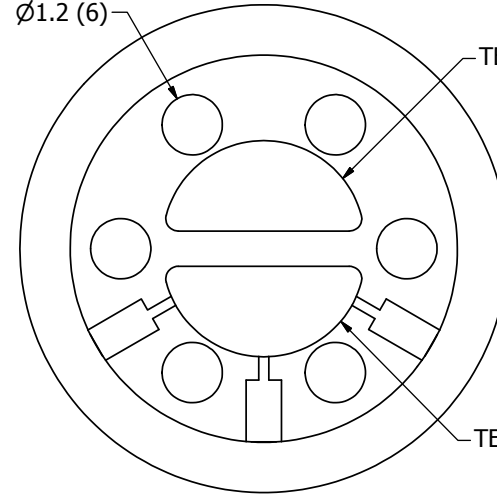
Ø9.7 ± 0.1



5.2 ± 0.2



Ø1.2 (6)



TERM. 1 (+)

TERM. 2 (-)

NOTES:

1. ALL DIMENSIONS ARE IN MILLIMETERS.
2. SPECIFICATIONS SUBJECT TO CHANGE OR WITHDRAWAL WITHOUT NOTICE.
3. THIS PART IS RoHS 2002/95/EC COMPLIANT.

UNLESS OTHERWISE SPECIFIED: DIMENSIONS ARE IN MILLIMETERS, TOLERANCES ARE ±0.5 AND ANGLES ARE ±3°.	SIZE	Designed by	Date	Checked by	Date	Approved by	Date	Drawn Date
	A3	J.A.F.	1/31/2006	E.P.	1/31/2006	B.R.	1/31/2006	8/31/2010
ANM-5254L-R.idw				ANM-5254L-R			Edition	Sheet
		Microphone			-	1 / 1		