



## Anaren Integrated Radio 1101 Series



**A1101R09A**

The A1101R09A is a high-performance, FCC & IC certified radio module that incorporates the Texas Instruments CC1101 transceiver chip in the industry's smallest package (9 x 16 x 2.5mm).

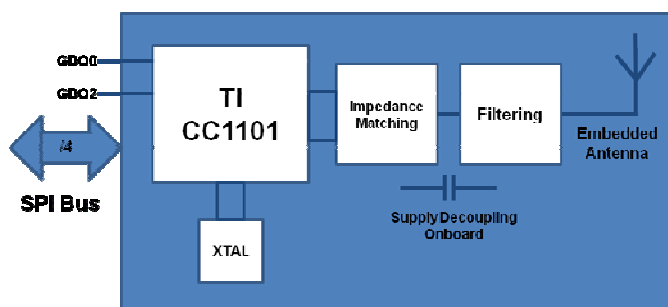
### Features

- Frequency range: 902-928 MHz
- FCC & IC compliant, shielded package
- Digital RSSI output
- Programmable output power up to +10dBm
- High sensitivity (-112 dBm at 1.2 kBaud, 915 MHz 1% packet error rate)
- Ultra-small package size 9 x 16 x 2.5mm
- LGA footprint
- RoHS compliant
- Operating temperature -40 to +85C
- Impedance-controlled, multi-layer PCB
- 1.8 to 3.6 VDC
- Low current consumption (15 mA in RX, 1.2 kBaud, 915 MHz)
- 200 nA sleep mode current consumption
- Efficient SPI interface; all registers can be programmed with one "burst" transfer
- Available in tape & reel and matrix tray

### Benefits

- No RF engineering experience necessary
- No additional "Intentional Radiator" certification required (FCC CFR 47 Part 15, IC RSS-210)
- Minimal real estate required
- Easily implemented on a two layer PCB
- No additional harmonic filtering required
- 100% RF-tested in production
- Common footprint for product family
- No additional DC decoupling required
- Integrated analog temperature sensor
- Excellent receiver selectivity and blocking performance
- Suitable for frequency hopping systems, thanks to a fast-settling frequency synthesizer with 90  $\mu$ s settling time
- Impedance-matched balun for optimized efficiency
- Support for asynchronous and synchronous serial receive/transmit mode for backwards compatibility with existing radio communication protocols

### Block diagram



**PLEASE NOTE:** Additional information on the Texas Instruments CC1101 device can be found in the company's latest datasheet release at <http://www.ti.com>



*This product shall not be used in any of the following products or systems without prior express written permission from Anaren Microwave, Inc:*

- implantable cardiac rhythm management systems, including without limitation pacemakers, defibrillators and cardiac resynchronization devices;
- external cardiac rhythm management systems that communicate directly with one or more implantable medical devices; or
- other devices used to monitor or treat cardiac function, including without limitation pressure sensors, biochemical sensors and neurostimulators.



Anaren, Inc. / 6635 Kirkville Road / East Syracuse, NY 13057  
800.411.6596 / <http://www.anaren.com> / [air@anaren.com](mailto:air@anaren.com)



## Anaren Integrated Radio

### Product overview

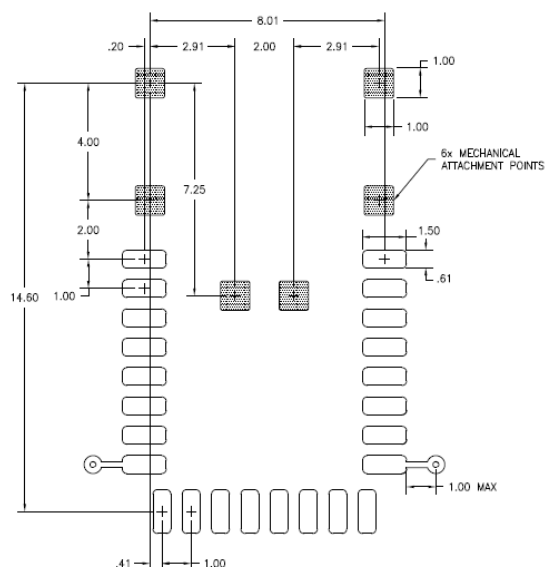
The A1101R09A is a high-performance, FCC & IC certified radio module that incorporates the Texas Instruments CC1101 transceiver chip in the industry's smallest package (9 x 16 x 2.5mm) and is compatible with all TI-approved software stacks.

With an LGA pad footprint, this module is designed to effortlessly integrate into a wide range of applications, including: industrial control, building automation, low-power wireless sensor networks, lighting control, and automated meter reading.

The A1101R09A has an RoHS-compliant ENIG finish and is packaged on tape and reel for high-volume automated manufacturing.

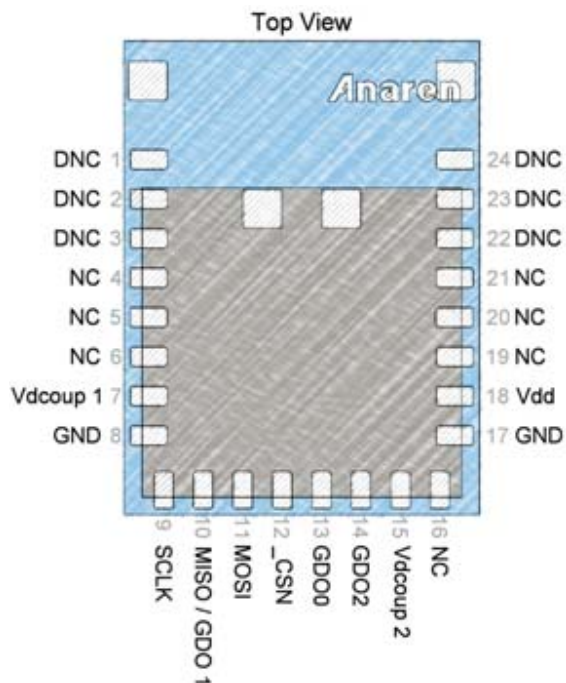
### Footprint

Refer to User's Manual for additional layout guidelines. Dimensions in mm.



### Pin diagram

DNC = Do Not Connect



### Nomenclature

**A1101R09A00GR**

① ② ③ ④ ⑤ ⑥ ⑦

A	(Anaren)
1	Chip series (1101, 2500)
2	Function (R = radio only)
3	Frequency band (x100MHz)
4	Form factor (A = Internal Antenna, C = Connector)
5	Design ID (00 = Default)
6	Application (G = General)
7	Packaging (R = Tape/Reel, M = Matrix Tray)



Caution! ESD sensitive device. Precautions should be used when handling the device in order to prevent permanent damage.



Anaren, Inc. / 6635 Kirkville Road / East Syracuse, NY 13057  
800.411.6596 / <http://www.anaren.com> / [air@anaren.com](mailto:air@anaren.com)

# Mouser Electronics

Authorized Distributor

Click to View Pricing, Inventory, Delivery & Lifecycle Information:

[Anaren:](#)

[A1101R09A00GM](#) [A1101R09A00GR](#)