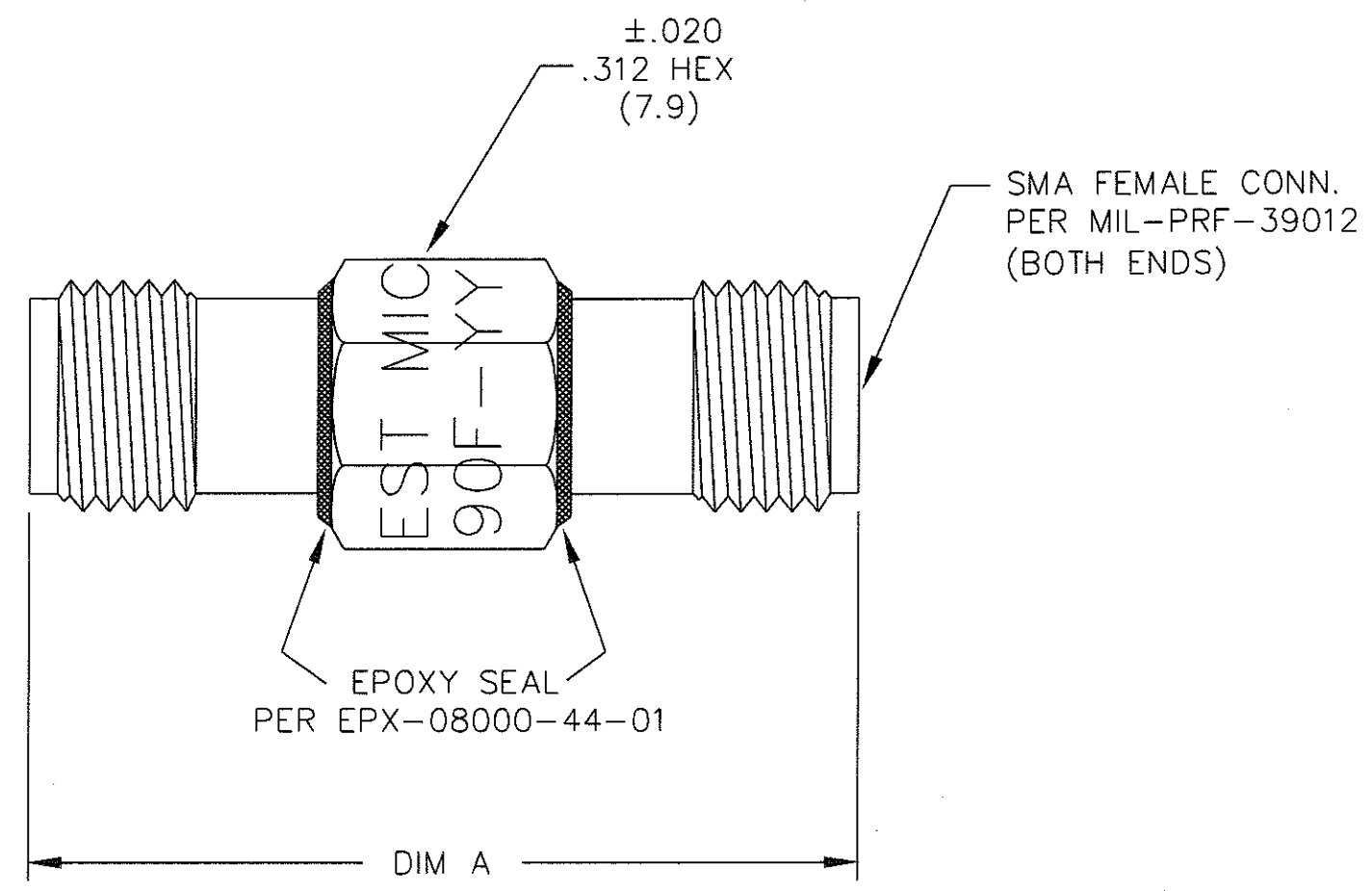


NOTES:

- 1.0 SPECIFICATIONS:
 1.1 FREQ. RANGE: DC to 18.0 GHz
 1.2 ATTENUATION ACCURACY:
 0dB +.3/-0dB
 1 to 6dB ±0.3dB
 7 to 20dB ±0.5dB
 21 to 30dB ±1.0dB
 1.3 MAXIMUM VSWR: 1.07+0.015f(GHz)
 1.4 MAXIMUM INPUT POWER:
 2 WATTS AVG AT +25°C DERATED LINEARLY
 TO 0.5 WATTS AT +125°C.
 1.5 OPERATING TEMP. RANGE: -65°C to +125°C
 2.0 MARKING
 2.1 MARK UNIT AS SHOWN
 (REF.: INK-06469-27-XX)
 3.0 DIMENSIONS IN PARENTHESIS ARE
 IN MILLIMETERS.



13 - 30dB	1.03(26.2)
0 - 12dB	.90(22.9)
ATTENUATION VALUE	DIM A

WAS DWG. NO.: 04242-01-00

REV.	DESCRIPTION	DATE
I	RELEASED	6/21/82
A	ECR 6545	7/10/89
B	ECR 6933	11/6/90
B1	UPDATE MODEL #	2/5/91
C	ECN 14889/ON CAD	12/6/95
D	ECN 15030	1/25/96
E	ECN 16216	9/15/97
E1	ADDED TITLEBLOCK	3/22/05

UNLESS OTHERWISE NOTED DIMENSIONS ARE IN INCHES AND TOLERANCES ARE: 3 PLACE DECIMALS ±.005 2 PLACE DECIMALS ±.02 FRACTIONS ±1/64 PARALLELITY: T.I.R. _____ FLATNESS: T.I.R. _____ CONCENTRICITY: T.I.R. _____ ANGLES AND PERPENDICULARITY: ±1'	FSCM NO. 34078	MIDWEST MICROWAVE	
	NOTICE: The information contained in this drawing is proprietary and must not be used without the permission of Midwest Microwave	TITLE ATTENUATOR	
DRAWN/DATE M.STAFFORD 12/6/95	ENG./DATE G.KOZAK 12/14/95	DRAWING NUMBER ATT-290F-XX-HEX-02	
CHECKED/DATE A.BEATTY 12/13/95	APPROVED/DATE	SCALE: 5=1	SHEET 1 of 1

Mouser Electronics

Authorized Distributor

Click to View Pricing, Inventory, Delivery & Lifecycle Information:

Cinch Connectivity Solutions:

[ATT-290F-00-HEX-02](#) [ATT-290F-01-HEX-02](#) [ATT-290F-02-HEX-02](#) [ATT-290F-03-HEX-02](#) [ATT-290F-04-HEX-02](#)
[ATT-290F-05-HEX-02](#) [ATT-290F-07-HEX-02](#) [ATT-290F-08-HEX-02](#) [ATT-290F-09-HEX-02](#) [ATT-290F-10-HEX-02](#)
[ATT-290F-20-HEX-02](#) [ATT-290F-30-HEX-02](#)