

MODEL NUMBER
ATT-290M-XX-HEX-02
REV.
G1

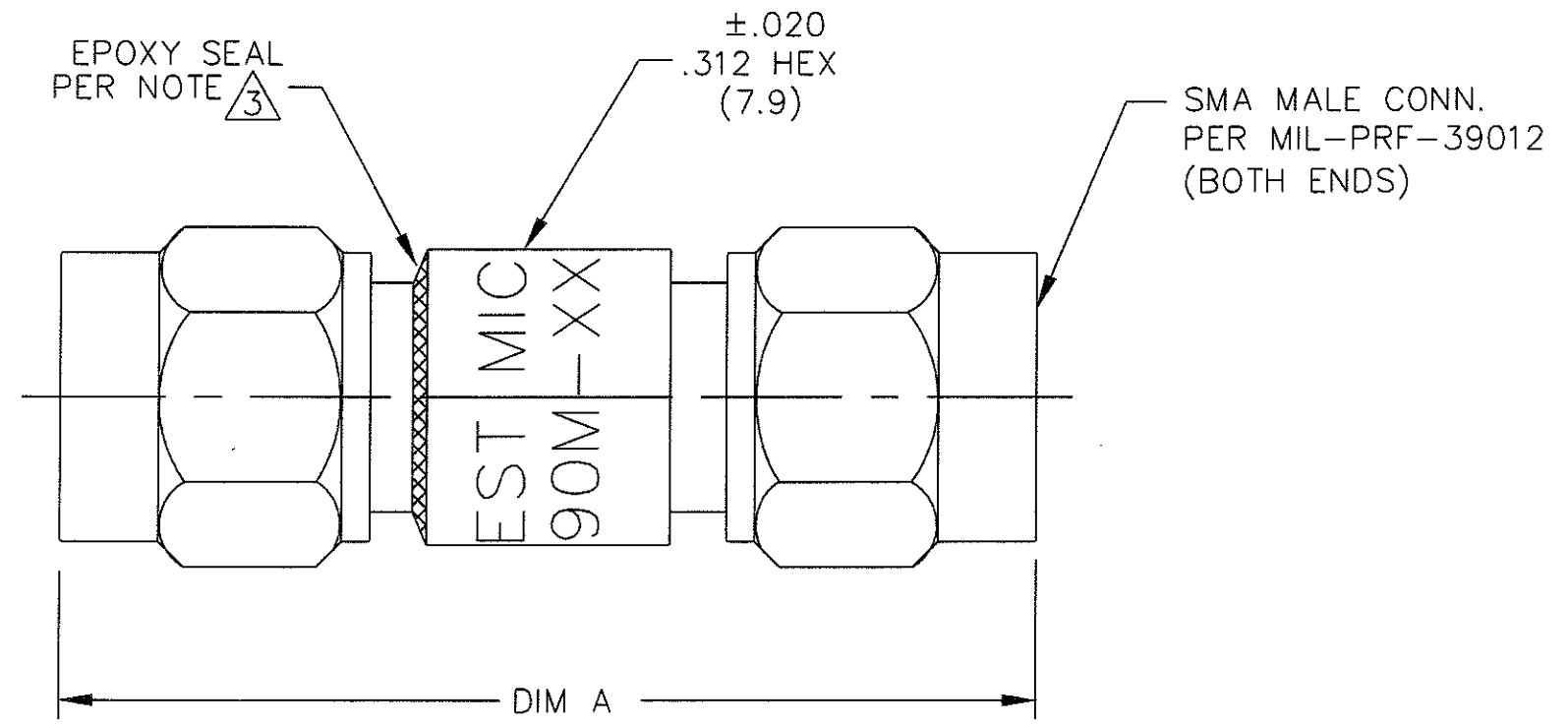
NOTES:

- 1.0 SPECIFICATIONS:
 1.1 FREQ. RANGE: DC to 18.0 GHz
 1.2 ATTENUATION ACCURACY:
 0dB +0.3dB
 0.5 to 6dB ±0.3dB
 7 to 20dB ±0.5dB
 21 to 30dB ±1.0dB
 1.3 MAXIMUM VSWR: 1.07+0.015f(GHz)
 1.4 MAXIMUM INPUT POWER:
 2 WATTS AVG AT +25°C DERATED LINEARLY
 TO 0.5 WATTS AT +125°C.
 1.5 OPERATING TEMP. RANGE: -65°C to +125°C

- 2.0 MARKING
 2.1 MARK UNIT AS SHOWN
 (REF.: INK-06468-27-XX)

△ EPOXY SEAL AS SHOWN PER
 EPX-08000-44-01

4.0 DIMENSIONS IN PARENTHESIS ARE
 IN MILLIMETERS.



13 - 30dB	1.12(28.4)
0 - 12dB	.98(24.9)
ATTENUATION VALUE	DIM A

REV.	DESCRIPTION	DATE
I	RELEASED	6/21/82
A	ECR 4877	10/3/86
B	ECR 5199	3/12/87
C	ECR 5978	4/28/88
D	ECR 6545	7/10/89
E	ECR 6933	3/30/90
E1	UPDATE MOD. NO.	2/5/91
F	REDRAW ON CAD	5/6/93
G	ECN 12652	5/26/93
G1	ADDED TITLEBLOCK	3/22/05

DWG NO. WAS: 04241-01-00

UNLESS OTHERWISE NOTED DIMENSIONS ARE IN INCHES AND TOLERANCES ARE:		FSCM NO. 34078	MIDWEST MICROWAVE
3 PLACE DECIMALS ±.005	NOTICE: The information contained in this drawing is proprietary and must not be used without the permission of Midwest Microwave	TITLE ATTENUATOR	
2 PLACE DECIMALS ±.02			
FRACTIONS ±1/64	DRAWN/DATE A.BEATTY 4/8/93	ENG./DATE G.KOZAK 4/12/93	DRAWING NUMBER ATT-290M-XX-HEX-02
PARALLELITY: T.I.R. _____			CHECKED/DATE M.HOLLMAN 4/7/93
FLATNESS: T.I.R. _____	SCALE: 5=1		SHEET 1 of 1
CONCENTRICITY: T.I.R. _____			
ANGLES AND PERPENDICULARITY: ±1°			