

MODEL NUMBER
ATT-0444-XX-HEX-02
REV.
F1

NOTES:

1.0 SPECIFICATIONS:

- 1.1 FREQ. RANGE: DC to 18.0 GHz
- 1.2 ATTENUATION VALUES: 0.5 to 30, 40, 50 & 60dB
- 1.3 ATTENUATION ACCURACY:

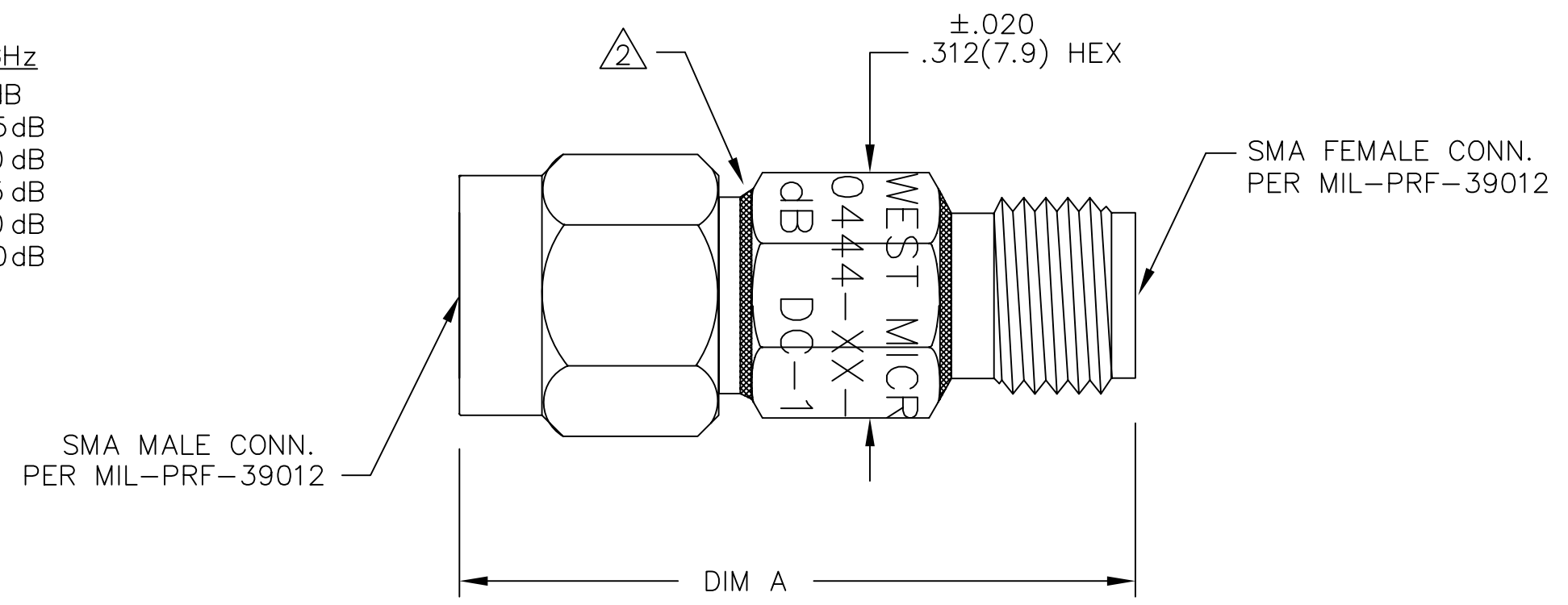
DC TO 12.4 GHz		12.4 TO 18.0 GHz	
0.5dB	±0.4dB	0.5dB	±0.4dB
1-4 dB	±0.75dB	1-4 dB	±0.75dB
5-8 dB	±0.75dB	5-8 dB	±1.00 dB
9-12dB	±1.00 dB	9-12dB	±1.25 dB
13-20dB	±1.50 dB	13-20dB	±1.50 dB
21-60dB	±2.00dB	21-30dB	±2.00 dB
- 1.4 VSWR (MAX.):

DC to 4.0 GHz:	1.25:1
4.0 to 12.4 GHz:	1.45:1
12.4 to 18.0 GHz:	1.65:1
- 1.5 INPUT POWER (MAX.): 2 WATTS AVG. AT +25°C DERATED LINEARLY TO 0.5 WATTS AT +125°C
- 1.6 OPERATING TEMP. RANGE: -65°C TO +125°C

EPOXY UNIT PER EPX-08000-44-01
0.5 to 30dB GET EPOXIED ON FEMALE END ONLY
31 to 60dB GET EPOXIED ON BOTH ENDS.

3.0 MARKING
3.1 MARK UNIT AS SHOWN:
(REF.: INK-06205-27-XX)

4.0 DIMENSIONS IN PARENTHESIS ARE MILLIMETERS.



ATTENUATION VALUE	DIM A
1 thru 12dB	.86(21.8)
13 thru 30dB	1.02(25.9)
31 thru 60dB	1.25(31.8)

REV.	DESCRIPTION	DATE
-	RELEASED	6/20/83
A	ECR 4636	7/17/86
B	ECR 6808	7/26/87
C	ECR 6933	11/27/90
C1	UPDATE MODEL NO.	2/4/91
D	ON CAD/UPDATE MARKING	3/1/93
E	ECN 14371	3/23/95
F	ECN 16216	9/16/97
F1	ADDED TITLEBLOCK	4/4/05

DRAWING NUMBER WAS:
04721-01-00 &
ATT-0444-XX-H00-02

UNLESS OTHERWISE NOTED DIMENSIONS ARE IN INCHES AND TOLERANCES ARE: 3 PLACE DECIMALS ±.005 2 PLACE DECIMALS ±.02 FRACTIONS ±1/64 PARALLELITY: T.I.R. _____ FLATNESS: T.I.R. _____ CONCENTRICITY: T.I.R. _____ ANGLES AND PERPENDICULARITY: ±1°		FSCM NO. 34078		MIDWEST MICROWAVE	
		NOTICE: The information contained in this drawing is proprietary and must not be used without the permission of Midwest Microwave		TITLE ATTENUATOR	
DRAWN/DATE A.BEATTY 3/1/93				ENG./DATE G.KOZAK 3/2/93	
		CHECKED/DATE M.HOLLMAN 3/1/93			

Mouser Electronics

Authorized Distributor

Click to View Pricing, Inventory, Delivery & Lifecycle Information:

Cinch Connectivity Solutions:

[ATT-0444-01-HEX-02](#) [ATT-0444-02-HEX-02](#) [ATT-0444-03-HEX-02](#) [ATT-0444-20-HEX-02](#) [ATT-0444-10-HEX-02](#)
[ATT-0444-07-HEX-02](#) [ATT-0444-08-HEX-02](#) [ATT-0444-09-HEX-02](#) [ATT-0444-04-HEX-02](#) [ATT-0444-05-HEX-02](#)
[ATT-0444-06-HEX-02](#)