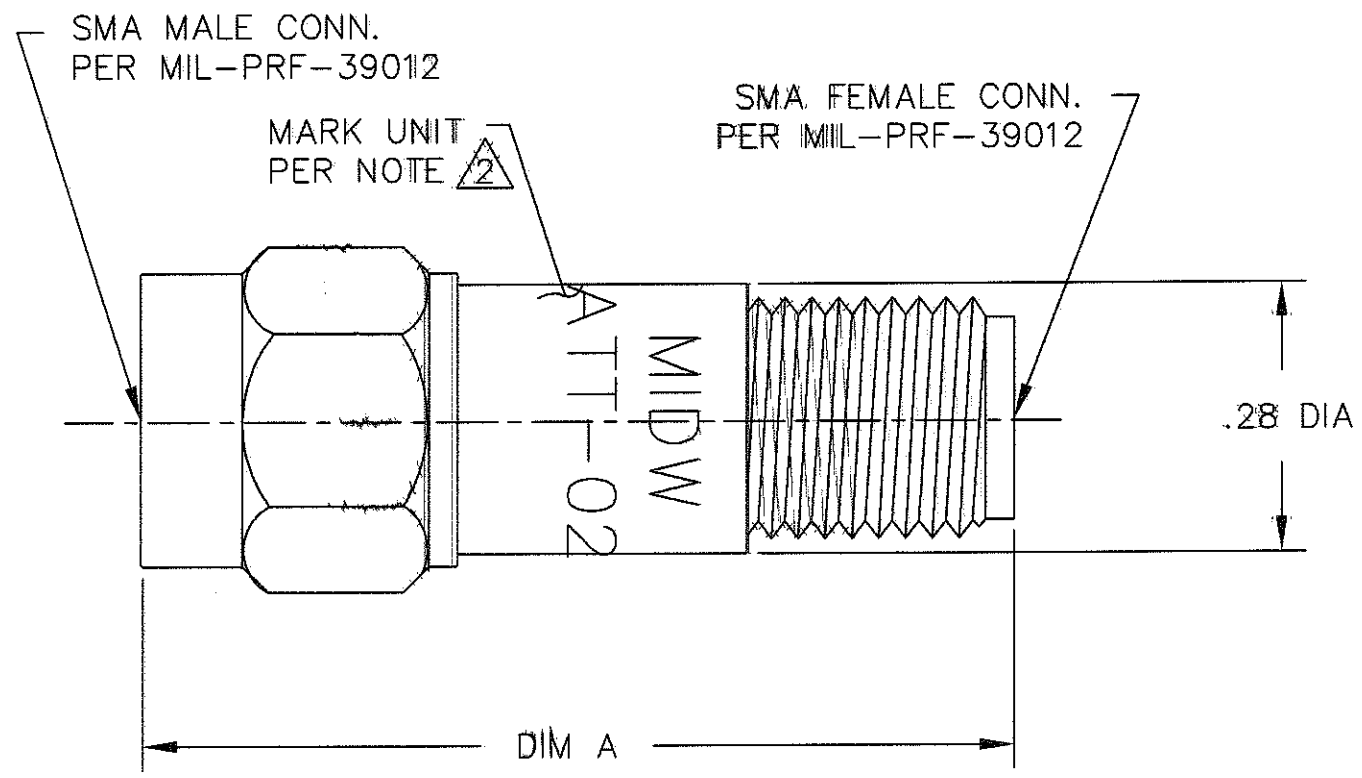


NOTES:

- 1.0 SPECIFICATIONS:
- 1.1 FREQUENCY RANGE: DC to 8.0 GHz
 - 1.2 ATTENUATION VALUES: 1 THRU 30dB
IN 1dB INCREMENTS
 - 1.3 ATTENUATION ACCURACY:
 - 1-10dB ±0.3 dB
 - 11-20dB ±0.5 dB
 - 21-30dB ±1.0 dB
 - 1.4 MAXIMUM VSWR:
1.07+.015f(GHz)
 - 1.5 MAXIMUM INPUT POWER: 2 WATTS AVG.
AT +25°C DERATED LINEARLY TO 0.5
WATTS AT +125°C
 - 1.6 OPERATING TEMP. RANGE: -65°C to +125°C
- △2 MARKING:
2.1 MARK UNIT AS SHOWN
(REF.: INK-09015-27-XX)



ATTENUATION VALUE	DIM A
1 - 12dB	.750
13 - 30dB	.875

REV.	DESCRIPTION	DATE
-	RELEASED	8/3/91
A	ECN 11574	2/18/92
b	ECN 11284	4/15/92
c	ECN 12138	11/4/92
C1	INK NO. 09016 TO 09015	1/3/94
C2	ADDED TITLEBLOCK	3/22/05
D	ECN 21185	1/10/07

UNLESS OTHERWISE NOTED DIMENSIONS ARE IN INCHES AND TOLERANCES ARE: 3 PLACE DECIMALS ±.005 2 PLACE DECIMALS ±.02 FRACTIONS ±1/64 PARALLELITY: T.I.R. _____ FLATNESS: T.I.R. _____ CONCENTRICITY: T.I.R. _____ ANGLES AND PERPENDICULARITY: ±1'	FSCM NO. 34078	MIDWEST MICROWAVE
	NOTICE: The information contained in this drawing is proprietary and must not be used without the permission of Midwest Microwave.	
	TITLE ATTENUATOR	
	DRAWN/DATE C.RICKARD 7/31/91	ENG./DATE G.KOZAIK 8/2/91
CHECKED/DATE A.BEATTY 8/2/91	APPROVED/DATE	SCALE: 5=1 SHEET 1 of 1

Mouser Electronics

Authorized Distributor

Click to View Pricing, Inventory, Delivery & Lifecycle Information:

Cinch Connectivity Solutions:

[ATT-0277-17-SMA-02](#) [ATT-0277-18-SMA-02](#) [ATT-0277-19-SMA-02](#) [ATT-0277-20-SMA-02](#) [ATT-0277-30-SMA-02](#)
[ATT-0277-78-SMA-02](#) [ATT-0277-11-SMA-02](#) [ATT-0277-12-SMA-02](#) [ATT-0277-13-SMA-02](#) [ATT-0277-14-SMA-02](#)
[ATT-0277-15-SMA-02](#) [ATT-0277-16-SMA-02](#) [ATT-0277-05-SMA-02](#) [ATT-0277-06-SMA-02](#) [ATT-0277-07-SMA-02](#)
[ATT-0277-08-SMA-02](#) [ATT-0277-09-SMA-02](#) [ATT-0277-10-SMA-02](#) [ATT-0277-01-SMA-02](#) [ATT-0277-02-SMA-02](#)
[ATT-0277-03-SMA-02](#) [ATT-0277-04-SMA-02](#)